

SMITH EQUIPMENT & OFM TOP LINE

Parts & Components

Product List | July 2023



Suspension Groups	6
• Caterpillar Dozers	7-8
• Komatsu Dozers	9-10
Equaliser Bars & Components	11
• Equaliser Bars (Caterpillar & Komatsu)	12
• Equaliser Bar Components (Caterpillar)	13
• Equaliser Bar Components (Komatsu)	14
Frames	15
• Bearing Sleeves (Caterpillar & Komatsu)	16
Cap Bearings	17
• Caterpillar Dozers	18
• Komatsu Dozers	19
Connectors	20
• Connectors (Caterpillar & Komatsu)	21



Pivot Shafts	22
• Dozers (Caterpillar & Komatsu)	23
Support Carrier Rollers	24
• Caterpillar	25
Mining – Off-Highway Trucks (Pins & Bearings)	26-27
• Caterpillar – 769, 770	28
• Caterpillar – 772, 773	29
• Caterpillar – 773, 775, 777	30-31
• Caterpillar – 777, 785	32
• Caterpillar – 785, 789	33
• Caterpillar – 793	34-35
• Caterpillar – 797	36
Articulated Dump Trucks (Pins, Bushes & Bearings)	37
• Caterpillar – 735, 740, 745	38-39



Motor Graders (Wear Strips & Shoes)	40-41
• Wear Strips (Circle Groups / Shoes)	42-43
• Wear Strips (Drawbars)	44
• Wear Strips (Mounting GP Blade – Bracket)	45
Motor Graders (Gears & Worms)	46
• Gears & Worms	47
Loaders (Pins, Bearings & Seals)	48
• Caterpillar – 943, 950	49
• Caterpillar – 950 B/E/F/G	50
• Caterpillar – 950 K/M, 962 M	51
• Caterpillar – 953	52
• Caterpillar – 980	53
• Caterpillar – 980 C/F/G/H	54-55
• Caterpillar – 980 M, 982 M	56
• Caterpillar – 980 G/H	57-58
• Caterpillar – 988 K, 990 II/H/K	59-61

Loaders (Pins, Bearings & Seals – Continued)

- Caterpillar – 992 G 61-65
- Caterpillar – 992 K, 993 K 66-68

Suspension Groups

Suspension Groups – Caterpillar® Dozers

See Diagram (Next Page)



Machine	Bogie as. Front	Qty	Bogie as. Middle	Qty	Bogie as. Rear	Qty	Bogie Minor	Qty	Bogie Pin	Bogie Pin New Version	Qty	Cap Roller	Qty	Idler Cap Front	Qty	Idler Cap Rear	Qty	Guide	Qty	Plate	Qty	Cover	Qty	Pad	Qty
<i>photo ref -></i>	1		2		3		4		5	5		6		7		8		9		10		11		12	
D8N - 9TC1 - UP/ D8R - 6YZ1 - UP	9W7417	2	7T4697	4	9W7416	2	7T8555	16	7T9307	3111298	32	6T4504	32	1311644	4	1311644	4	1844395	16	7G5221	16	9P7823	16	7T4700	16
									(2663152)																
D8R - 9EM4417 - UP	3102901	2	3102866	4	3102902	2	7T8555	16	7T9307	3111298	32	1311651	32	3069441	4	3069441	4	2482987	16	7G5221	16	9P7823	16	7T4700	16
									(2663152)																
D8T - J8B1 - UP	9W7417	2	7T4697	4	9W7416	2	7T8555	16	7T9307	3111298	32	1311651	32	3069441	4	3069441	4	2482987	16	7G5221	16	9P7823	16	7T4700	16
									(2663152)																
D8T - KPZ1 - UP	3102905	2	3102866	4	3102906	2	7T8555	16	7T9307	3111298	32	1311651	32	3069441	4	3069441	4	2482987	16	7G5221	16	9P7823	16	7T4700	16
									(2663152)																
D8T - KP22780 - UP	3102901	2	3102866	4	3102902	2	7T8555	16	7T9307	3111298	32	1311651	32	3069441	4	3069441	4	2482987	16	7G5221	16	9P7823	16	7T4700	16
									(2663152)																
D9L - 14Y	1268588	2	7T0375	4	1284414	2	6T1382	16	7T9309	3111299	32	6T4964	32	3069431	2	3069431	2	1844396	16	7G5221	16	7G3907	16	7T5959	16
									(2513273)																
D9N - 1JD1 - UP	1342679	2	7T5417	4	1342680	2	7T5420	16	7T9307	3111298	32	6T4504	32	1311642 1311643	2 2	1311642 1311643	2 2	1844395	16	7G5221	16	9P7823	16	7T5419	16
									(2663152)																
D9R - 7TL 852 TO UP / D9T REX-RJS- TWG1-UP	1342679	2	7T5417	4	1342680	2	7T5420	16	7T9307	3111298	32	1311651	32	1311642 1311643	2 2	1311642 1311643	2 2	1844395	16	7G5221	16	9P7823	16	7T5419	16
							1573106 1573107	8 8	(2663152)																
D10N - 2YD1 / D10R - 3KR1 - UP	1284414	2	7T0375	4	1268588	2	6T1382	16	7T9309	3111299	32	6T4964	32	3069447	2	3069449	2	1844396	16	7G5221	16	7G3907	16	7T5959	16
							1564208 1564209	8 8	(2513273)																
D10T RIG1-UP / D10T2 JJW1-UP /RAB1-UP	1284414	2	7T0375	4	362-3566	2	6T1382	16	7T9309	3111299	28	1311650	32	3069447	2	3069449	2	1844396	16	7G5221	12	7G3907	16	7T5959	16
									3585259		4										366-4909	4			
D10T2 JJW1-UP / RAB1-UP ARCTIC	1284414	2	7T0375	4	362-3566	2	6T1382	16	2513273		28	1311650	32	3069447	2	3069449	2	1844396	16	7G5221	12	7G3907	16	7T5959	16
									3931127		4										366-4909	4			
D11T	1287256	2	9W7871	4	1287255	2	2618287	16	7T9311	3111300	32	3069457	16	3069453	2	3069451	2	1873298	16	9P9993	16	9P9990	16	3P2482	16
							2618288 2618289	8 8	(2513280)			3069455	16												

() = Arctic Version of the standard version.

We're Experts in Earthmoving Parts, Components, Attachments and Equipment

www.smithequipment.com.au | +61 3 9793 1588 | sales@smithequipment.com.au



Suspension Groups – Caterpillar® Dozers



We're Experts in Earthmoving Parts,
Components, Attachments and Equipment

www.smithequipment.com.au | +61 3 9793 1588 | sales@smithequipment.com.au



Suspension Groups – Komatsu® Dozers

See Diagram (Next Page)



Machine	Bogie as. Front	Qty	Bogie as. Middle	Qty	Bogie as. Minor	Qty	Bogie Pin	Qty	Cap Roller	Qty	Cap Idler	Qty	Guide	Qty	Cover	Qty	Pad Major	Qty	Pad Minor	Qty
<i>photo ref -></i>	1		2		3		4		5		6		7		8		9		10	
D155-A5							17A-30-00061	6	17A-30-16331	24			17A-30-17142	12			17A-30-16131	12		
D155-AX6 / AX8	17A-30-46151	2	17A-30-46111	6	17A-30-46121	12	17A-30-46202	12	17A-30-46330	24			17A-30-47131	12	17M-30-56331	12	17A-30-46131	6	17A-30-46141	2
															17M-30-66341					
D275-5	17M-30-56151	2	17M-30-56112	6	17M-30-56122	12	17M-30-56201	12	17M-30-52140	24	17M-30-51480	4	17M-30-57131	12	17M-30-56341	12	17M-30-56130	6	195-30-66190	2
D275-A5R	17M-30-56151	2	17M-30-56112	6	17M-30-56122	12	17M-30-56201	12	17M-30-52140	24	17M-30-52140	4	17M-30-57131	12	17M-30-56341	12	17M-30-56130	6	195-30-66190	2
							17M-30-59200													
D275-A5R SN.35021-UP	17M-30-66151	2	17M-30-66113	6	17M-30-66122	12	17M-30-69200	12	17M-30-52140	24	17M-30-51480	4	17M-30-67132	12	17M-30-66341	12	17M-30-56130	6	195-30-66190	2
					17M-30-66271	6	17M-30-66201													
					17M-30-66281	6														
D275-AX5	17M-30-56151	2	17M-30-56112	6	17M-30-56122	12	17M-30-56201	12	17M-30-52140	24	17M-30-51480	4	17M-30-57131	12	17M-30-56341	12	17M-30-56130	6	195-30-66190	2
							(17M-30-59200)													
D375-A3							195-30-01542	6	195-30-62141	12			195-30-67131	12	17M-30-66341	12	195-30-66132	12		
D375-A5	195-30-66550	2	195-30-66510	6	195-30-66520	12	195-30-62400	12	195-30-62141	24	195-30-51570	4	195-30-67230	12	195-30-66580	12	195-30-66531	6	198-30-56132	6
							(195-30-69400)													
D375-A5E	195-30-66550	2	195-30-66510	6	195-30-69221	12	195-30-69901	12	195-30-62141	24	195-30-51570	4	195-30-67230	12	195-30-66580	12	195-30-66531	6	198-30-56132	6
							195-30-69701													
D375-A6/ A6R	195-30-66550	2	195-30-66510	6	195-30-66520	12	195-30-62100	12	195-30-62141	24	195-30-51570	4	195-30-67230	12	195-30-66580	12	195-30-66531	6	198-30-56132	6
							(195-30-66710)								195-30-66571	6				
D375-A6 MINING SN(60001-UP)	195-30-69162	2	195-30-69212	6	195-30-69221	12	195-30-62100	12	195-30-62142	24	195-30-51570	4	195-30-67230	12	195-30-69270	6	195-30-69131	6	195-30-68131	6
							195-30-62800								195-30-66571	6				
60001-60370	195-30-69162	2	195-30-69212	6	195-30-69221	12	195-30-62100	12	195-30-62142	24	195-30-51570	4	195-30-67230	12	195-30-69270	6	195-30-69131	6	195-30-68131	6
	195-30-69141						195-30-62800								195-30-66571	6				
60371-UP	195-30-69162	2	195-30-71211	6	195-30-71220	12	195-30-62100	12	195-30-71250	24	195-30-68491	4	195-30-71260	12	195-30-69270	8	195-30-69131	6	195-30-68131	6
	195-30-69141				195-70-71230	6	195-30-66710								195-30-66571	6				
					195-70-71240	6														
D475-A5	198-30-66150	2	198-30-66111	6	198-30-66141	12	198-30-32800	28	198-30-67141	32	198-30-43820	4	198-30-67131	12		16	198-30-66120	12	198-30-66130	4
							(198-30-32900)													
D475-ASD-5E	198-30-66150	2	198-30-66111	6	198-30-69140	12	198-30-32900	28	198-30-67141	32	198-30-43820	4	198-30-67131	12	198-30-69391	16	198-30-69120	12	198-30-69230	4
							198-30-68700		198-30-68241											
D475-8	198-30-68132	2	198-30-73211	6	198-30-73220	12	198-30-32900	28	198-30-73270	32	198-30-43820	4	198-30-77651	12	198-30-69590	16	198-30-69120	12	198-30-69230	4
	198-30-68142				198-30-73240				198-30-68241						198-30-69391					

We're Experts in Earthmoving Parts,
Components, Attachments and Equipment

www.smithequipment.com.au | +61 3 9793 1588 | sales@smithequipment.com.au



Suspension Groups – Komatsu® Dozers



2



10



6



8



1



5



3



7



9



4



We're Experts in Earthmoving Parts,
Components, Attachments and Equipment

www.smithequipment.com.au | +61 3 9793 1588 | sales@smithequipment.com.au



Equaliser Bars & Components

Equaliser Bars



Caterpillar®

Part Number	Description	Machines			
281-8488	Equalizer Bar	D6R_GJB	D6R_HCD	D6T_GMK	
281-8491	Equalizer Bar	D6R_MTJ	D6R_DLM	D6R_HDC	D6R_WCB
		D6R_WRG			
201-2076	Equalizer Bar	D6H_3FZ	D6H_4RC	D6H_5LN	D6H_9KJ
		D6R_9BM	D6R_AAX	D6R_BMY	D6R_FDT
201-2078	Equalizer Bar	D6R_4TR	D6R_5LN	D6R_9BM	D6R_8TM
		D6R_9PN	D6R_AAX	D6R_ADE	D6R_AEP
		D6R_BMY	D6R_BNC		
222-6926	Equalizer Bar	D8N_5TJ	D8N_9TC	D8R_7XM	D8R_6YZ
		D8R_9EM	D8R_AKA	D8T_FCT	D8T_J8B
		D8T_KPZ	D8T_MLN		
140-9699	Equalizer Bar	D9N_1JD	D9N_6XJ	D9R_8BL	D9R_7TL
		D9R_ABK	D9R_ACL	D9R_WDM	D9T_RJS
		D9T_TWG			
177-4651	Equalizer Bar	D9R_WDM	D9T_RJS	D9R_ACL	D9R_ABK
		D9R_JJB	D9R_7TL	D9R_8BL	
222-3676	Equalizer Bar	D10N_2YD	D10N_3SK	D10R_3KR	D10R_AKT
		D10T_RJG	D9L_14Y		
222-3682	Equalizer Bar	D10R_AKT	D10R_RJG		
207-2683	Equalizer Bar	D11R_AAF	D11R_7PZ	D11R_GEB	
207-2684	Equalizer Bar				
494-6212	Equalizer Bar	D11T_AMA	D11T_GEB	D11T_JEL	D11T_JNS
495-0327		D11T_MDG	D11T_TPB		

Komatsu®

Part Number	Description	Machines
17A-50-00111	Equalizer Bar	D155
17M-50-00112	Equalizer Bar	D275
195-50-00182	Equalizer Bar	D375
195-50-00281	Equalizer Bar	D375A-5D
195-50-00211	Equalizer Bar	D375A-8
195-50-00114	Equalizer Bar	D475



We're Experts in Earthmoving Parts,
Components, Attachments and Equipment

www.smithequipment.com.au | +61 3 9793 1588 | sales@smithequipment.com.au



Equaliser Bar Components – Caterpillar®

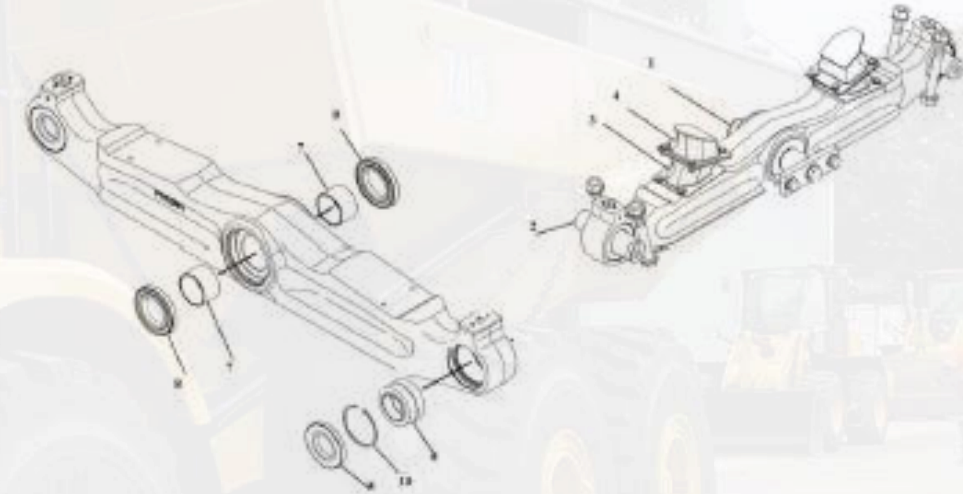


D8T			
	Part Number	Description	Q.ty
Pos. 1	219-5743	PIN	1
Pos. 2	219-5735	PIN	2
Pos. 3	6Y9508	PAD	2
Pos. 4	6Y9509	PAD	2
Pos. 5	9X7505	SEAL AS	4
Pos. 6	1174013	BEARING S/A	2
Pos. 7	130-3139	BUSHING	2
Pos. 8	7G8666	SEAL AS	1
Pos. 9	7G8664	SEAL AS	1
Pos. 10	5L4751	RING RET	4

D10T			
	Part Number	Description	Q.ty
Pos. 1	278-0237	PIN	1
Pos. 2	3T4214	PIN	2
Pos. 3	213-7322	PAD	2
Pos. 4	7G2704	PAD	2
Pos. 5	207-7107	SEAL AS	4
Pos. 6	380-7675	BEARING S/A	2
Pos. 7	251-9905	BUSHING	1
Pos. 8	9G2398	SEAL AS	1
Pos. 9	8P9142	SEAL AS	1
Pos. 10	2L0043	RING RET	4

D9T			
	Part Number	Description	Q.ty
Pos. 1	127-0842	PIN	1
Pos. 2	7T4865	PIN	2
Pos. 3	9G1697	PAD	2
Pos. 4	9G1696	PAD	2
Pos. 5	9X7505	SEAL AS	4
Pos. 6	380-7674	BEARING S/A	2
Pos. 7	117-4015	BUSHING	2
Pos. 8	9G7127	SEAL AS	1
Pos. 9	6P8369	SEAL AS	1
Pos. 10	5L4751	RING RET	4

D11T			
	Part Number	Description	Q.ty
Pos. 1	8P8827	PIN	1
Pos. 2	3T7792	PIN	2
Pos. 3	2136184	PAD	2
Pos. 4	2136185	PAD	2
	2136186	PAD	2
Pos. 5	194-8128	SEAL AS	4
Pos. 6	380-7677	BEARING S/A	2
Pos. 7	129-4487	BUSHING	2
Pos. 8	8P8797	SEAL AS	1
Pos. 9	8P8796	SEAL AS	1
Pos. 10	271-1440	RING RET	4



We're Experts in Earthmoving Parts,
Components, Attachments and Equipment

Equaliser Bar Components – Komatsu®



D155			
Bar	Part Number	Description	Q.ty
17A-50-00111		BAR	1
	17A-50-42131	CEN. BUSHING	2
	17A-50-42151	SPH BUSHING	2
	17A-50-42160	SEAL	4
	17A-50-42120	PIN	1
	17A-50-42140	SHAFT	2

D375			
Bar	Part Number	Description	Q.ty
195-50-00182		BAR	1
	195-50-41132	CEN. BUSHING	2
	195-50-41161	SPH BUSHING	2
	195-50-41170	SEAL	4
	195-50-41120	PIN	1
	195-50-51150	SHAFT	1

D275			
Bar	Part Number	Description	Q.ty
17M-50-00112		BAR	1
	17M-50-24161	CEN. BUSHING	2
	17M-50-41161	SPH BUSHING	2
	17A-50-12291	SEAL	4
	17M-50-41120	PIN	1
	17M-50-41140	SHAFT	2

D475			
Bar	Part Number	Description	Q.ty
198-50-00114		BAR	1
	198-50-51131	CEN. BUSHING	2
	198-50-51161	SPH BUSHING	2
	198-50-51170	SEAL	4
	198-50-51120	PIN	1
	198-50-61150	SHAFT	1

We're Experts in Earthmoving Parts,
Components, Attachments and Equipment

www.smithequipment.com.au | +61 3 9793 1588 | sales@smithequipment.com.au



Frames – Bearing Sleeves

Frames – Bearing Sleeves

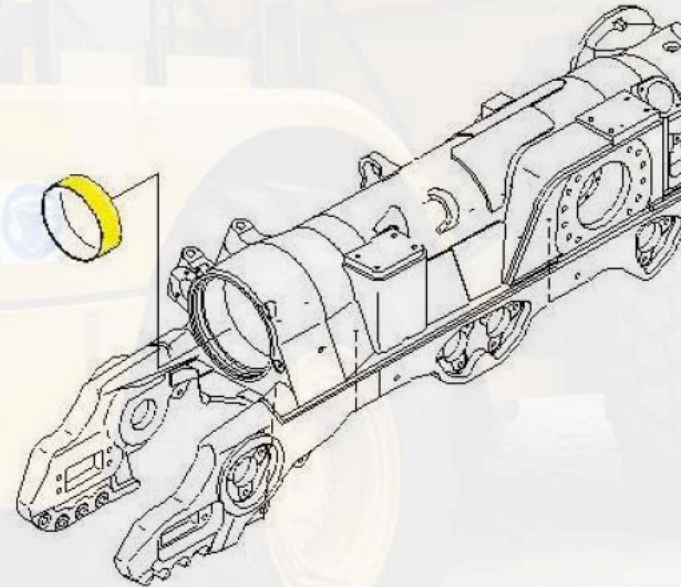


Caterpillar®

PART. N.	MACHINE Caterpillar®
8G3202	D5H - D6M - D4H -
3T1162	D6H -
9W0709	D7H - D8N - D8R - D7R -
9P7990	D8L -
1549838	D8R -
1998210	D8T -
7T5216	D9N - D9R -
7G1958	D9L - D10R -
6T3785	D10N -
9W9551	D10N - D10R -
9W2793	D10 - D11N - D11R -
1389907	D11R -T

Komatsu®

PART. N.	MACHINE Komatsu®
17M-30-26620	D275 -
195-30-34121	D375 -
198-30-34120	D475 -



We're Experts in Earthmoving Parts,
Components, Attachments and Equipment

www.smithequipment.com.au | +61 3 9793 1588 | sales@smithequipment.com.au



Cap Bearings

Cap Bearings (Dozers) – Caterpillar®



D8-R/T	
Part Number	Description
1J-6740	BEARING
193-3063	CAP BEARING
3G9598	BUSHING
239-1497	TRUNION

D9-R/T	
Part Number	Description
116-8039	BEARING
116-8038	CAP BEARING
3G9598	BUSHING
108-8283	TRUNION
116-8052	SPHERICAL BEARING

D10-R/T	
Part Number	Description
1U1187	BEARING
7T4966	CAP BEARING
3G8051	BUSHING
3G8052	BUSHING
129-8169	TRUNION
129-8171	SPHERICAL BEARING

D11-R/T	
Part Number	Description
175-0035	BEARING
123-4011	CAP BEARING
145-8737	BUSHING
209-7714	TRUNION
197-5943	SPHERICAL BEARING

D10-T	
Part Number	Description
5646963	BEARING
5646964	HALF BUSH

D11-T	
Part Number	Description
4789270	BEARING
4789271	HALF BUSH



We're Experts in Earthmoving Parts,
Components, Attachments and Equipment

www.smithequipment.com.au | +61 3 9793 1588 | sales@smithequipment.com.au



Cap Bearings (Dozers) – Komatsu®



D155		
Part Number	Description	Quantity
17A-71-12262	TRUNNION	2
17A-71-45431	BRACKET	2
17A-71-12280	CAP	2
175-71-21261	JOINT	2
175-71-21221	PIN	2
154-71-21290	PIN	2

D275	
Part Number	Quantity
17M-71-41370	2
17M-71-42631	4
17M-71-41951	2
17M-71-41971	2
17M-71-21380	2
17M-71-21390	2
17M-71-42620	4
17M-71-21720	2

D375	
Part Number	Quantity
195-71-51191	2
195-71-74250	4
195-71-74191	2
195-71-61291	2
195-71-61380	2
195-71-61390	2
195-71-74270	4
195-71-61630	2

D475	
Part Number	Quantity
198-71-21292	2
198-71-51340	4
198-71-51380	2
198-71-51390	2
198-71-31380	2
198-72-51810	2
19M-72-11621	4
198-71-21561	2

D475 - A8	
Part Number	Quantity
198-71-85291	2
198-71-85341	4
198-71-85381	2
198-71-85391	2
198-71-31380	2
198-72-51810	2
19M-72-11621	4
198-71-21561	2



We're Experts in Earthmoving Parts,
Components, Attachments and Equipment

Connectors

Caterpillar®

PART NUMBER	MACHINE
8E6758	D9R-T
138-2828	D10R-T
4T-3797	D10-D11RT
130-3436	D11T
150-4502	D11T



Komatsu®

PART NUMBER	MACHINE
175-71-21261	D155A-6
17M-71-21380	D275-A5
195-71-21281	D355-A5
195-71-61380	D375-A5
198-72-62121	D475-A5
198-71-31380	D475-A5



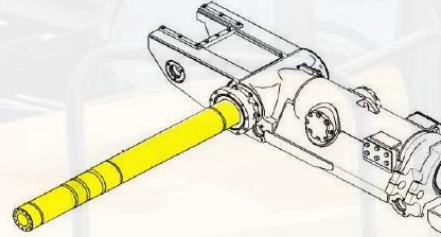
We're Experts in Earthmoving Parts,
Components, Attachments and Equipment

Pivot Shafts

Pivot Shafts (Dozers)

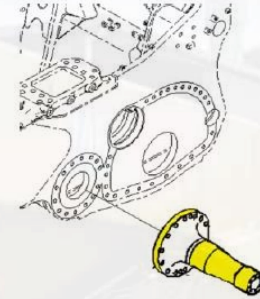


Caterpillar®



<i>part number</i>	<i>description</i>	<i>application</i>
6T9204	PIVOT SHAFT	D7H-D7R
8E2837	PIVOT SHAFT	D8N-D8R-D8T
2065214	PIVOT SHAFT	D8L-D9N-D9R-D9T
6T7407	PIVOT SHAFT	D9L
8E2900	PIVOT SHAFT	D10N-D10R-D10T
134-2202	PIVOT SHAFT	D11R-D11T

Komatsu®



<i>part number</i>	<i>description</i>	<i>application</i>
17A-50-11111	PIVOT SHAFT	D155A-3; D155A-5; D155A-5; D155AX-3; D155AX-5-A; D155AX-5
17M-50-22120	PIVOT SHAFT	D275A-2; D275A-2; D275A-5; D275A-5D; D275A-5R; D275AX-5; D275AX-5E0;
195-50-42111	PIVOT SHAFT	D375A-3; D375A-3; D375A-3A; D375A-3D; D375A-5; D375A-5D; D375A-5E0; D375A_5;
198-50-52111	PIVOT SHAFT	D475A-3; D475A-3; D475A-5; D475A-5; D475A-5A; D475A-5E0; D475ASD-5E0;

We're Experts in Earthmoving Parts,
Components, Attachments and Equipment

www.smithequipment.com.au | +61 3 9793 1588 | sales@smithequipment.com.au



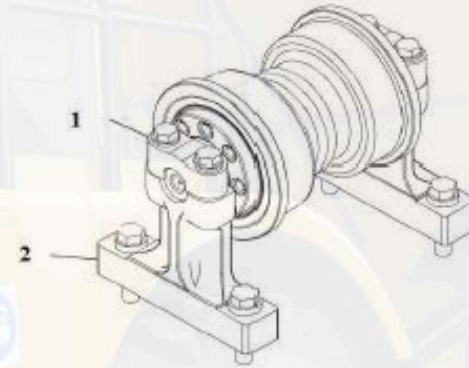
Support Carrier Rollers

Support Carrier Rollers (Dozers)



Caterpillar®

	POS 1	POS 2	SERIAL N
D9R	6T1142	2119298	WDM
D9T	6T1142	2119298	REX/RJS/TWG
D10R	6T1141	2128281	AKT
D10T-T2	6T1141	3599905	RJG / JJW / RAB



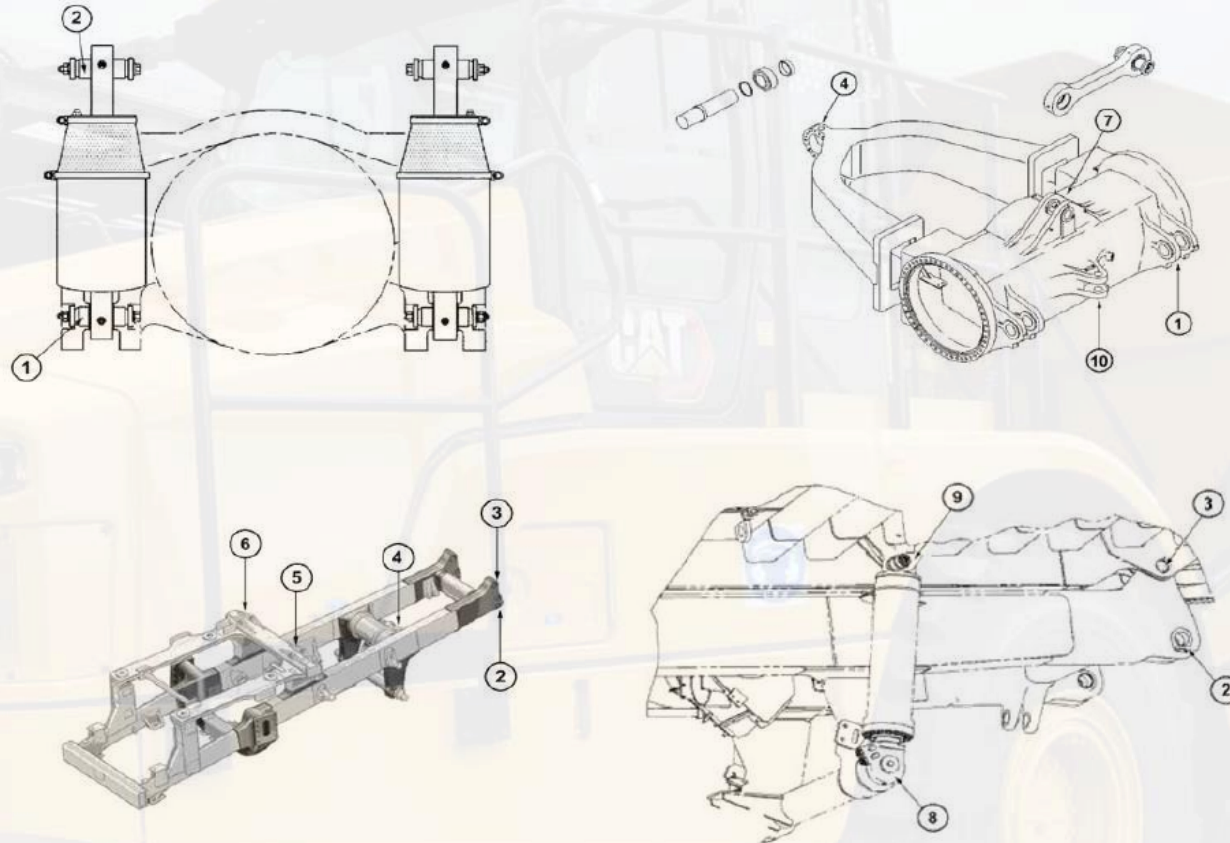
We're Experts in Earthmoving Parts,
Components, Attachments and Equipment

www.smithequipment.com.au | +61 3 9793 1588 | sales@smithequipment.com.au



Mining – Off-Highway Trucks (Pins & Bearings)

Mining – Off-Highway Trucks (Pins & Bearings)



See Table (Next Page)

We're Experts in Earthmoving Parts,
Components, Attachments and Equipment

www.smithequipment.com.au | +61 3 9793 1588 | sales@smithequipment.com.au



Mining – Off-Highway Trucks (Pins & Bearings – 769, 770)



Highway Truck 769B s/n 35W				
Pos	PIN		BEARING	
	PART No.	QTY	PART No.	QTY
1	6D1303	2	6J1144	2
2	6D1303	2	6J1144	2
3	6D1303	2	7D3807	2
4	9M2321	2		
5				
6				
7	9M1609	2	9M1605	2
8			9M1328	2
9	9M2321	2	9M1328	2
10	9M3998	2		

Highway Truck 769C s/n 01X				
Pos	PIN		BEARING	
	PART No.	QTY	PART No.	QTY
1	6D1303	2	6J1144	2
2	6D1303	2	6J1144	2
3	8E8419	2	7D3807	2
4	9D3671	1		
5	5T1977	1		
6	5T1977	1		
7	9M1609	2	9M1605	2
8			9M1328	2
9	9M2321	2	9M1328	2
10	9D3434	1		

Highway Truck 769D s/n BBB				
Pos	PIN		BEARING	
	PART No.	QTY	PART No.	QTY
1	1348437	2	6J1144	2
2	1348437	2	6J1144	2
3	1326650	2	7D3807	2
4				
5	5T1977	1		
6	5T1977	1		
7	8W6928	2	2159572	2
8	9M2321	2	9M1328	2
9	9M2321	2	9M1328	2
10	9D3434	1		

Highway Truck 769 s/n 99F				
Pos	PIN		BEARING	
	PART No.	QTY	PART No.	QTY
1	6D1303	2	6J1144	2
2	6D1303	2	6J1144	2
3	6D1583	2	7D3807	2
4	9M2321	2		
5	9M2321	1		
6	9M2321	1		
7	9M1609	2	9M1605	2
8			9M1328	2
9	9M2321	2	9M1328	2
10	9M3998	2		

Highway Truck 769D s/n 5SS				
Pos	PIN		BEARING	
	PART No.	QTY	PART No.	QTY
1	1348437	2	6J1144	2
2	1348437	2	6J1144	2
3	1326650	2	7D3807	2
4				
5	5T1977	1		
6	5T1977	1		
7	8W6928	2	2159572	2
8	9M2321	2	9M1328	2
9	9M2321	2	9M1328	2
10	9D3434	1		

Highway Truck 770 s/n BZZ				
Pos	PIN		BEARING	
	PART No.	QTY	PART No.	QTY
1	1348437	2	6J1144	2
2	1348437	2	6J1144	2
3	1326650	2	7D3807	2
4	3058924	1	3037504	1
5	5T1977	1		
6	5T1977	1		
7	8W6928	2	2746941	2
8			7D3182	2
9	8W1367	2	2374156	2
10	9D3434	1		

We're Experts in Earthmoving Parts,
Components, Attachments and Equipment



Mining – Off-Highway Trucks (Pins & Bearings – 772, 773)



Highway Truck 772 s/n RLB				
Pos	PIN		BEARING	
	PART No.	QTY	PART No.	QTY
1	1348437	2	6J1144	2
2	1348437	2	6J1144	2
3	1326650	2	7D3807	2
4	3058924	1	3037504	1
5	5T1977	1		
6	5T1977	1		
7	8W6928	2	2746941	2
8			7D3182	2
9	8W1367	2	2374156	2
10	9D3434	1		

Highway Truck 773B s/n 63W				
Pos	PIN		BEARING	
	PART No.	QTY	PART No.	QTY
1	7D3009	2	7J3297	2
2	7D3009	2	7J3297	2
3	7D3009	2	7D3807	2
4				
5	5T1977	1		
6	5T1977	1		
7	9D2205	2	6J1144	2
8			7D3182	2
9	7D2944	2	7J1309	2
10	9D3434	1		

Highway Truck 773D s/n 7ER				
Pos	PIN		BEARING	
	PART No.	QTY	PART No.	QTY
1	7D3009	2	7J3297	2
2	7D3009	2	7J3297	2
3	1326650	2	7D3807	2
4				
5	5T1977	1		
6	5T1977	1		
7	9D2205	2	6J1144	2
8			7D3182	2
9	8W1367	2	7J1309	2
10	9D3434	1		

Highway Truck 773 s/n 63G				
Pos	PIN		BEARING	
	PART No.	QTY	PART No.	QTY
1	7D3009	2	7J3297	2
2	7D3009	2	7J3297	2
3	7D3009	2	7D3807	2
4				
5	7D3475	1		
6	7D3475	1		
7	6D1303	2	6J1144	2
8			7D3182	2
9	7D2944	2	7J1309	2
10	9M3998	1		

Highway Truck 773D s/n 7CS				
Pos	PIN		BEARING	
	PART No.	QTY	PART No.	QTY
1	7D3009	2	7J3297	2
2	7D3009	2	7J3297	2
3	1326650	2	7D3807	2
4				
5	5T1977	1		
6	5T1977	1		
7	9D2205	2	6J1144	2
8			7D3182	2
9	8W1367	2	2374156	2
10	9D3434	1		

Highway Truck 773D s/n NBJ				
Pos	PIN		BEARING	
	PART No.	QTY	PART No.	QTY
1	2992521	2	7J3297	2
2	2992521	2	7J3297	2
3	2503140	2	7D3807	2
4				
5	5T1977	1		
6	5T1977	1		
7	2994400	2	6J1144	2
8			7D3182	2
9	2468386	2	2374156	2
10	9D3434	1		

We're Experts in Earthmoving Parts,
Components, Attachments and Equipment



Mining – Off-Highway Trucks

(Pins & Bearings – 773, 775, 777)



Highway Truck 773E s/n BDA				
Pos	PIN		BEARING	
	PART No.	QTY	PART No.	QTY
1	7D3009	2	7J3297	2
2	7D3009	2	7J3297	2
3	1326650	2	7D3807	2
4				
5	5T1977	1		
6	5T1977	1		
7	9D2205	2	6J1144	2
8			7D3182	2
9	8W1367	2	2374156	2
10	9D3434	1		

Highway Truck 775D s/n 6KR				
Pos	PIN		BEARING	
	PART No.	QTY	PART No.	QTY
1	7D3009	2	7J3297	2
2	7D3009	2	7J3297	2
3	1326650	2	7D3807	2
4				
5	5T1977	1		
6	5T1977	1		
7	9D2205	2	6J1144	2
8			7D3182	2
9	8W1367	2	2374156	2
10	9D3434	1		

Highway Truck 775F s/n DLS				
Pos	PIN		BEARING	
	PART No.	QTY	PART No.	QTY
1	7D3009	2	7J3297	2
2	7D3009	2	7J3297	2
3	1326650	2	7D3807	2
4	2441711	1	3W8357	1
5	5T1977	1		
6	5T1977	1		
7	9D2205	2	6J1144	2
8			7D3182	2
9	8W1367	2	2374156	2
10	9D3434	1		

Highway Truck 773F s/n EED				
Pos	PIN		BEARING	
	PART No.	QTY	PART No.	QTY
1	7D3009	2	7J3297	2
2	7D3009	2	7J3297	2
3	1326650	2	7D3807	2
4	2441711	1	3W8357	1
5	5T1977	1		
6	5T1977	1		
7	9D2205	2	6J1144	2
8			7D3282	2
9	8W1367	2	2374156	2
10	9D3434	1		

Highway Truck 775E s/n BEC				
Pos	PIN		BEARING	
	PART No.	QTY	PART No.	QTY
1	7D3009	2	7J3297	2
2	7D3009	2	7J3297	2
3	1326650	2	7D3807	2
4				
5	5T1977	1		
6	5T1977	1		
7	9D2205	2	6J1144	2
8			7D3182	2
9	8W1367	2	2374156	2
10	9D3434	1		

Highway Truck 777 s/n 84A				
Pos	PIN		BEARING	
	PART No.	QTY	PART No.	QTY
1	9D2278	2	8J8906	2
2	9D2278	2	8J8906	2
3	9D3317	2	9D3402	2
4				
5	5T2031	1		
6	5T2031	1		
7	9D2205	2	6J1144	2
8			9D2319	2
9	9D2314	2	5J9451	2
10	9D3434	1		

We're Experts in Earthmoving Parts,
Components, Attachments and Equipment



Mining – Off-Highway Trucks (Pins & Bearings – 777)



Highway Truck 777B s/n 4YC				
Pos	PIN		BEARING	
	PART No.	QTY	PART No.	QTY
1	9D2278	2	8J8906	2
2	9D2278	2	8J8906	2
3	5T4372	2	9D3402	2
4	8X0573	1	6V0444	1
5	5T2031	1		
6	5T2031	1		
7	7D3009	2	7J3297	2
8			9D2319	2
9	9D2314	2	5J9451	2
10	9D3434	1		

Highway Truck 777D s/n 2YW				
Pos	PIN		BEARING	
	PART No.	QTY	PART No.	QTY
1	9D2278	2	8J8906	2
2	9D2278	2	8J8906	2
3	8W8454	2	9D3402	2
4	8X0573	1	6V0444	1
5	5T2031	1		
6	5T2031	1		
7	7D3009	2	7J3297	2
8			9D2319	2
9	5T9266	2	5J9451	2
10	9D3434	1		

Highway Truck 777D s/n AGC				
Pos	PIN		BEARING	
	PART No.	QTY	PART No.	QTY
1	9D2278	2	8J8906	2
2	9D2278	2	8J8906	2
3	8W8454	2	9D3402	2
4	8X0573	1	6V0444	1
5	5T2031	1		
6	5T2031	1		
7	7D3009	2	7J3297	2
8			9D2319	2
9	5T9266	2	5J9451	2
10	9D3434	1		

Highway Truck 777C s/n 4XJ				
Pos	PIN		BEARING	
	PART No.	QTY	PART No.	QTY
1	9D2278	2	8J8906	2
2	9D2278	2	8J8906	2
3	8W8454	2	9D3402	2
4	8X0573	1	6V0444	1
5	5T2031	1		
6	5T2031	1		
7	7D3009	2	7J3297	2
8			9D2319	2
9	5T9266	2	5J9451	2
10	9D3434	1		

Highway Truck 777D s/n 3PR				
Pos	PIN		BEARING	
	PART No.	QTY	PART No.	QTY
1	9D2278	2	8J8906	2
2	9D2278	2	8J8906	2
3	8W8454	2	9D3402	2
4	8X0573	1	6V0444	1
5	5T2031	1		
6	5T2031	1		
7	7D3009	2	7J3297	2
8			9D2319	2
9	5T9266	2	5J9451	2
10	9D3434	1		

Highway Truck 777D s/n AGY				
Pos	PIN		BEARING	
	PART No.	QTY	PART No.	QTY
1	9D2278	2	8J8906	2
2	9D2278	2	8J8906	2
3	8W8454	2	9D3402	2
4	8X0573	1	6V0444	1
5	5T2031	1		
6	5T2031	1		
7	7D3009	2	7J3297	2
8			9D2319	2
9	5T9266	2	5J9451	2
10	9D3434	1		

We're Experts in Earthmoving Parts,
Components, Attachments and Equipment



Mining – Off-Highway Trucks (Pins & Bearings – 777, 785)



Highway Truck 777D s/n FKR				
Pos	PIN		BEARING	
	PART No.	QTY	PART No.	QTY
1	9D2278	2	8J8906	2
2	9D2278	2	8J8906	2
3	2993568	2	9D3402	2
4	8X0573	1	6V0444	1
5	5T2031	1		
6	5T2031	1		
7	7D3009	2	7J3297	2
8			9D2319	2
9	5T9266	2	5J9451	2
10	9D3434	1		

Highway Truck 785 s/n 8GB				
Pos	PIN		BEARING	
	PART No.	QTY	PART No.	QTY
1	6G7082	2	9U9558	2
2	6G7082	2	9U9558	2
3	8W8679	2	6G9698	2
4	8X0573	1	6V0444	1
5	6G9477	1		
6	6G9477	1		
7	5T5947	2	8J3783	2
8			6G8209	2
9	6G9692	2	6V3249	2
10	5T5976	1		

Highway Truck 785C s/n 1HW				
Pos	PIN		BEARING	
	PART No.	QTY	PART No.	QTY
1	1506308	2	9U9558	2
2	1506308	2	9U9558	2
3	8W8679	2	6G9698	4
4	8X0573	1	6V0444	1
5	6G9477	1		
6	6G9477	1		
7	5T5947	2	8J3783	2
8			6G8209	2
9	2395505	2	6V3249	2
10	5T5976	1		

Highway Truck 777F s/n JRP				
Pos	PIN		BEARING	
	PART No.	QTY	PART No.	QTY
1	9D2278	2	8J8906	2
2	9D2278	2	8J8906	2
3	8W8454	2	9D3402	2
4	8X0573	1	6V0444	1
5	5T2031	1		
6	5T2031	1		
7	7D3009	2	7J3297	2
8			9D2319	2
9	5T9266	2	5J9451	2
10	9D3434	1		

Highway Truck 785B s/n 6HK				
Pos	PIN		BEARING	
	PART No.	QTY	PART No.	QTY
1	6G7082	2	9U9558	2
2	6G7082	2	9U9558	2
3	8W8679	2	6G9698	2
4	8X0573	1	6V0444	1
5	6G9477	1		
6	6G9477	1		
7	5T5947	2	8J3783	2
8			6G8209	2
9	2395505	2	6V3249	2
10	5T5976	1		

Highway Truck 785C s/n 5AZ				
Pos	PIN		BEARING	
	PART No.	QTY	PART No.	QTY
1	1506308	2	9U9558	2
2	1506308	2	9U9558	2
3	8W8679	2	6G9698	4
4	8X0573	1	6V0444	1
5	6G9477	1		
6	6G9477	1		
7	5T5947	2	8J3783	2
8			6G8209	2
9	2395505	2	6V3249	2
10	5T5976	1		

We're Experts in Earthmoving Parts,
Components, Attachments and Equipment



Mining – Off-Highway Trucks (Pins & Bearings – 785, 789)



Highway Truck 785C s/n APX				
Pos	PIN		BEARING	
	PART No.	QTY	PART No.	QTY
1	1506308	2	9U9558	2
2	1506308	2	9U9558	2
3	8W8679	2	6G9698	4
4	8X0573	1	6V0444	1
5	6G9477	1		
6	6G9477	1		
7	5T5947	2	8J3783	2
8			6G8209	2
9	2395505	2	6V3249	2
10	5T5976	1		

Highway Truck 789B s/n 7EK				
Pos	PIN		BEARING	
	PART No.	QTY	PART No.	QTY
1	8W9610	2	1290899	2
2	8W9610	2	1888697	2
3	8W8679	2	6G9698	4
4	8X5022	1	6V0444	1
5	6G9477	1		
6	6G9477	1		
7	5T5947	2	8J3783	2
8			6G8209	2
9	2395505	2	6V3249	2
10	5T5976	1		

Highway Truck 789 s/n 9ZC				
Pos	PIN		BEARING	
	PART No.	QTY	PART No.	QTY
1	8W9610	2	6V0444	2
2	8W9610	2	6V0444	2
3	8W8679	2	6G9698	4
4	8X5022	1	6V0444	1
5	6G9477	1		
6	6G9477	1		
7	5T5947	2	8J3783	2
8			6G8209	2
9	6G9692	2	6V3249	2
10	5T5976	1		

Highway Truck 789C s/n 2BW						
Pos	PIN		BEARING		BEARING SUSPENSION CYLINDER	
	PART No.	QTY	PART No.	QTY	PART No.	QTY
1	1506307	2	8X8654	4	1290899	2
2	1506307	2	8X8654	4	1888697	2
3	8W8679	2	6G9698	4		
4	8X5022	1	6V0444	1		
5	6G9477	1				
6	6G9477	1				
7	5T5947	2	8J3783	2		
8			6G8209	2		
9	2395505	2	6V3249	2		
10	5T5976	1				

We're Experts in Earthmoving Parts,
Components, Attachments and Equipment



Mining – Off-Highway Trucks (Pins & Bearings – 793)



Highway Truck 793 s/n 3SJ						
Pos	PIN		BEARING		BEARING SUSPENSION	
	PART No.	QTY	PART No.	QTY	PART No.	QTY
1	8W9610	2	8X8654	4	6V0444	2
2	8W9610	2	8X8654	4	6V0444	2
3	7I5517	2	6G9698	4		
4	8X2936	1	1069343	1		
5	8X5047	1				
6	8X5047	1				
7	1021464	2	8J3783	2		
8			6Y9380	2		
9	8X4040	2	6Y9379	2		
10	5T5976	1				

Highway Truck 793C s/n 4AR						
Pos	PIN		BEARING		BEARING SUSPENSION	
	PART No.	QTY	PART No.	QTY	PART No.	QTY
1	1335620	2	8X8654	4	1888697	2
2	1335620	2	8X8654	4	1888697	2
3	7I5517	2	6G9698	4		
4	8X2936	1	1069343	1		
5	8X5047	1				
6	8X5047	1				
7	1021464	2	8J3783	2		
8			6Y9380	2		
9	2370417	2	6Y9379	2		
10	5T5976	1				

Highway Truck 793B s/n 1HL						
Pos	PIN		BEARING		BEARING SUSPENSION	
	PART No.	QTY	PART No.	QTY	PART No.	QTY
1	8W9610	2	8X8654	4	6V0444	2
2	8W9610	2	8X8654	4	6V0444	2
3	7I5517	2	6G9698	4		
4	8X2936	1	1069343	1		
5	8X5047	1				
6	8X5047	1				
7	1021464	2	8J3783	2		
8			6Y9380	2		
9	2370417	2	6Y9379	2		
10	5T5976	1				

Highway Truck 793C s/n 4GZ						
Pos	PIN		BEARING		BEARING SUSPENSION	
	PART No.	QTY	PART No.	QTY	PART No.	QTY
1	1335620	2	8X8654	4	1888697	2
2	1335620	2	8X8654	4	1888697	2
3	7I5517	2	6G9698	4		
4	8X2936	1	1069343	1		
5	8X5047	1				
6	8X5047	1				
7	1021464	2	8J3783	2		
8			6Y9380	2		
9	2370417	2	6Y9379	2		
10	5T5976	1				

We're Experts in Earthmoving Parts,
Components, Attachments and Equipment



Mining – Off-Highway Trucks (Pins & Bearings – 793)



Highway Truck 793C s/n ATY						
Pos	PIN		BEARING		BEARING SUSPENSION	
	PART No.	QTY	PART No.	QTY	PART No.	QTY
1	1335620	2	8X8654	4	1888697	2
2	1335620	2	8X8654	4	1888697	2
3	715517	2	6G9698	4		
4	8X2936	1	1069343	1		
5	8X5047	1				
6	8X5047	1				
7	1021464	2	8J3783	2		
8			6Y9380	2		
9	2370417	2	6Y9379	2		
10	5T5976	1				

Highway Truck 793D s/n FDB						
Pos	PIN		BEARING		BEARING SUSPENSION	
	PART No.	QTY	PART No.	QTY	PART No.	QTY
1	1503772	2	8X8654	4	1888697	2
2	1503772	2	8X8654	4	1888697	2
3	715517	2	6G9698	4		
4	8X2936	1	1069343	1		
5	8X5047	1				
6	8X5047	1				
7	1021464	2	8J3783	2		
8			6Y9380	2		
9	2370417	2	6Y9379	2		
10	5T5976	1				

Highway Truck 793C s/n CBR						
Pos	PIN		BEARING		BEARING SUSPENSION	
	PART No.	QTY	PART No.	QTY	PART No.	QTY
1	1335620	2	8X8654	4	1888697	2
2	1335620	2	8X8654	4	1888697	2
3	715517	2	6G9698	4		
4	8X2936	1	1069343	1		
5	8X5047	1				
6	8X5047	1				
7	1021464	2	8J3783	2		
8			6Y9380	2		
9	2370417	2	6Y9379	2		
10	5T5976	1				

We're Experts in Earthmoving Parts,
Components, Attachments and Equipment

www.smithequipment.com.au | +61 3 9793 1588 | sales@smithequipment.com.au



Mining – Off-Highway Trucks (Pins & Bearings – 797)



Highway Truck 797 s/n 5YW														
	PIN		BEARING		SEAL		O-RING		BEARING SUSPENSION CYLINDER		SEAL		O-RING	
Pos	PART No.	QTY	PART No.	QTY	PART No.	QTY	PART No.	QTY	PART No.	QTY	PART No.	QTY	PART No.	QTY
1	1913628	2							1501891	2	1572383	4	1121579	4
2	1913628	2							1501891	2	1572383	4	1121579	4
3	1511238	2	1554801	4										
4														
5	1491927	1												
6	1491927	1												
7	1569804	8	1548546	8	1572386	16	1121579	16						
8			1501889	2										
9	2395503	2	1501890	2										
10														

We're Experts in Earthmoving Parts,
Components, Attachments and Equipment

www.smithequipment.com.au | +61 3 9793 1588 | sales@smithequipment.com.au



Articulated Dump Trucks (Pins, Bushes & Bearings)

Articulated Dump Trucks (Pins, Bushes & Bearings – 735, 740, 745)



	730C2			735C			740 B			745C		
BODY GP TRUCK	142-1227	PIN AS	2	142-1227	PIN AS	2	142-1227	Pin AS	2	142-1227	Pin AS TYPE 1	2
	541-6882	Pin AS/ type 2	2							541-6882	Pin AS/Body type 2	2
	144-6952	BUSHING	2	144-6952	BUSHING	2	144-6952	Bushing	2	144-6952	Bushing	2
	197-0382	Pin AS	1							416-4362	Pin AS	1
HITCH GP	171-6063	Pin-Hitch	1	156-4078	Pin-Hitch	1	156-4078	Pin-Hitch	1	156-4078	Pin-Hitch	1
	174-5605	Pin-Hitch	1	301-6951	Pin-Hitch	1	301-6951	Pin-Hitch	1	301-6951	Pin-Hitch	1
	5P-7802	Bearing	2	332-1648	Bearing self A.	2	332-1648	Self-Aligning	2	332-1648	Self-Aligning	2
	175-6920	Washer-Special	2	461-2111	washer	2	187-3579	Spacer-Bearing	1	425-3355	Washer	1
	151-7854	Pin AS	1	151-7854	Pin AS	1	151-7854	Pin AS	1	151-7854	Pin AS	1
FRAME GP FRONT	175-5899	Bushing	2	175-5899	Bushing	2	175-5899	Bushing	2	175-5899	Bushing	2
FRAME GP REAR	142-0050	Bushing	2	142-0050	Bushing	2	142-0050	Bushing	2	142-0050	Bushing	2
	159-5728	Bushing	2	162-5516	Bushing	2	162-5516	Bushing	2	162-5516	Bushing	2
							112-8517	Bushing	2			
ROLLER GP	185-2606	roller gp	2				185-2606	roller gp	2			
	203-1017	roller gp	2				203-1017	roller gp	2			
Tilt Gp Hood				9W0852	pin connector	2	9W-0852	Pin-Connector	2	9W-0852	Pin-Connector	2
TAILGATE GP	193-3857	Bearing	4	192-9067	bushing	4	192-9067	Bushing	4	192-9067	Bushing	4
	261-7764	Pin	4	192-9068	Pin	2	192-9068	Pin	2	192-9068	Pin	2
	261-7765	Pin	6	437-1907	washer	4						
	262-4773	Flange	2									
	184-6337	Pin	2									
	197-0382	Pin AS	2									
MTG GP-HOIST	174-3154	Pin	2	2U-9202	Pin AS-Cylinder	2	2U-9202	Pin AS-Tip Cylinder	2	2U-9202	Pin AS-Tip Cylinder	2
	164-9309	Bearing	2	150-6553	Pin	2	150-6553	Pin	4	150-6553	Pin	2
				066-5815	Self-Aligning	4	066-5815	Self-Aligning	4	066-5815	Bearing-Self-Aligning	4

We're Experts in Earthmoving Parts,
Components, Attachments and Equipment

www.smithequipment.com.au | +61 3 9793 1588 | sales@smithequipment.com.au



Articulated Dump Trucks (Pins, Bushes & Bearings – 735, 740, 745)



	730C2			735C			740 B			745C		
STEERING GP	6V-5002	Bearing-Aligning	4	6V-5002	Bearing-Aligning	4	6V-5002	Bearing-Aligning	4	6V-5002	Bearing-Aligning	4
	174-5578	Pin-Tapered	2	174-5578	Pin-Tapered	4	174-5578	Pin-Tapered	4	174-5578	Pin-Tapered	4
	174-9517	Pin-Tapered	2									
SUSPENSION GP	6V-5003	Bearing-Aligning	4	164-9309	Bearing-Aligning	4	164-9309	Bearing-Aligning	4	164-9309	Bearing-Aligning	4
	174-5640	Pin	2	212-0136	pin	4	212-0136	Pin	4	212-0136	Pin	4
	174-5641	Pin	2							212-0137	Spacer	4
										212-0138	Washer-Special	4
Frame												
CENTER SUSPENSION	155-3537	Bearing	1	155-3537	Bearing	1	155-3537	Bearing	1	155-3537	Bearing	1
	554-8864	Pin-Suspension	2	554-8864	Pin-Suspension	2	554-8864	Pin-Suspension	2	554-8864	Pin-Suspension	1
	155-0385	Ring-Clamp	1	155-0385	Ring-Clamp	1	155-0385	Ring-Clamp	1	155-0385	Ring-Clamp	1
	148-5563	Bearing-Spherical	2	148-5563	Bearing-Spherical	2						
			351-8204	Bushing	2	351-8204	Bushing	2	351-8204	Bushing	2	
Frame												
SUSPENSION GP-REAR	175-3587	Bushing AS	4	138-9231	Bushing	4	138-9231	Bushing	4	138-9231	Bushing	4
	155-0195	Pin	1				554-8864	Pin-Suspension	1	554-8864	Pin-Suspension	1
						351-8204	Bushing	2	351-8204	Bushing	2	
Frame												
FRONT SUSPENSION GP	6Y-4457	Bearing-Aligning	1	301-6946	Bearing-Aligning	1	301-6946	Bearing	1	301-6946	Bearing	1
	176-7187	Sleeve-Tapered	1	301-6948	Sleeve-Tapered	1	301-6948	Bushing-Tapered	1	301-6948	Bushing-Tapered	1
	471-9955	Seal AS	1	351-8204	Rod Bushing	2	351-8204	Rod Bushing	2	351-8204	Rod Bushing	2
	465-1098	Collar-Retaining	1									
	148-5563	Bearing-Spherical	2									

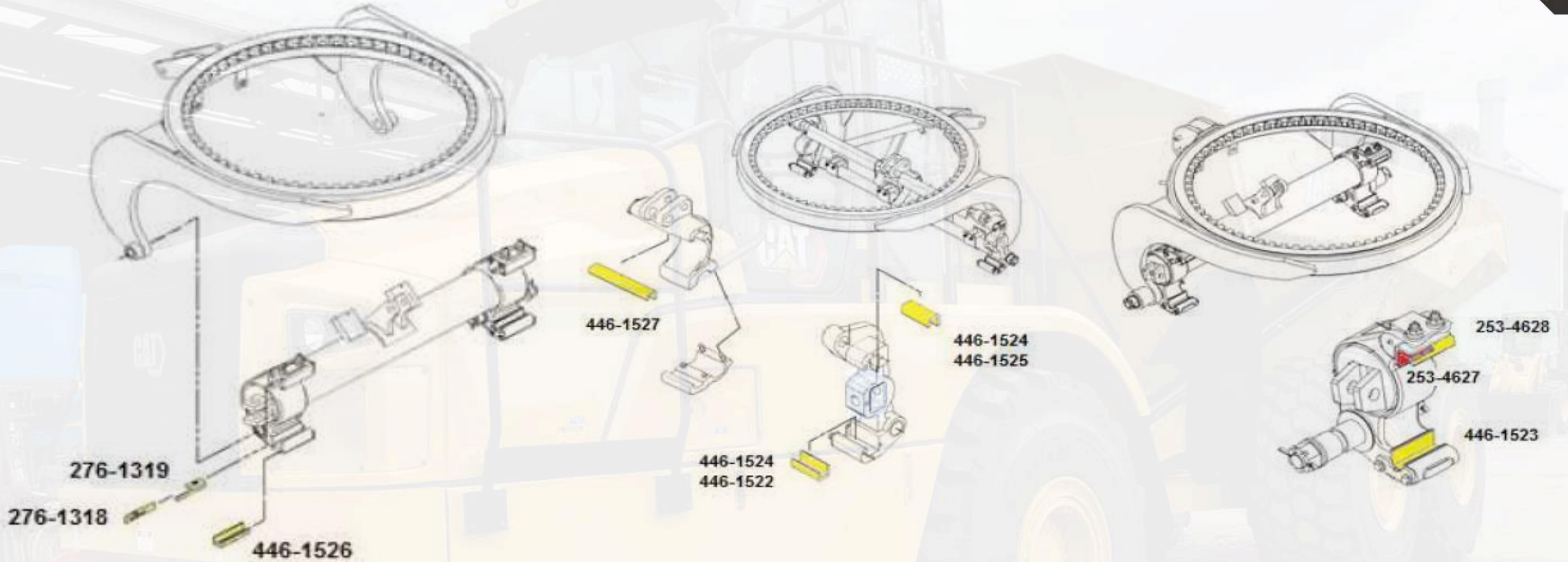
We're Experts in Earthmoving Parts,
Components, Attachments and Equipment

www.smithequipment.com.au | +61 3 9793 1588 | sales@smithequipment.com.au



Motor Graders (Wear Strips & Shoes)

Motor Graders – Wear Strips



See Table (Next Page)

We're Experts in Earthmoving Parts,
Components, Attachments and Equipment

www.smithequipment.com.au | +61 3 9793 1588 | sales@smithequipment.com.au



Motor Graders – Wear Strips (Circle Groups)



Part Numbers	New Parts Numbers	Type	Model
178-1685	446-1527	BRONZE	12H; 120H; 135H; 140H; 143H; 160H
252-7089	446-1523	BRONZE	14M; 16M;
253-4627		BRONZE	14M; 16M;
253-4628		BRONZE	14M; 16M;
276-1317	446-1526	BRONZE	120M; 12M; 140M; 160M;
276-1318		BRONZE	120M; 12M; 140M; 160M;
276-1319		BRONZE	120M; 12M; 140M; 160M;
5T8365	446-1522	BRONZE	14G; 14H; 14H NA; 16G; 16H; 16H NA;
5T8366	446-1524	BRONZE	120G; 120H; 120H ES; 120H NA; 120K; 12G; 12H; 12H ES; 12H NA; 12K; 130G; 135H; 135H NA; 140G; 140H; 140H ES; 140H NA; 140K; 143H; 160G; 160H; 160H ES; 160H NA; 160K; 163H; 163H NA;
5T8367	446-1525	BRONZE	120G; 120H; 120H ES; 120H NA; 12G; 12H; 12H ES; 12H NA; 130G; 135H; 135H NA; 140G; 140H; 140H ES; 140H NA; 143H; 160G; 160H; 160H ES; 160H NA; 163H NA;

We're Experts in Earthmoving Parts,
Components, Attachments and Equipment

www.smithequipment.com.au | +61 3 9793 1588 | sales@smithequipment.com.au

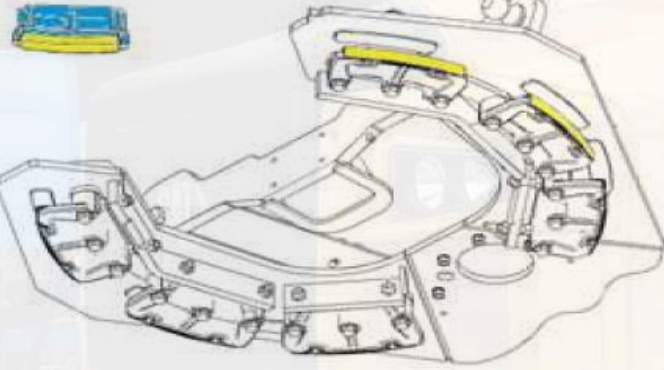


Motor Graders – Wear Strips (Circle Groups / Shoes)



319-2228
5T2926
319-2229

308-6303
333-0960
5T2925
6G4372
6G4525



Wear Strip

Circle Group

Part Numbers	New Parts Numbers	Type	Model
308-6303		POLYMER	14M; 16M;
333-0960		POLYMER	120H; 120H ES; 120H NA; 120M; 12H; 12H ES; 12H NA; 12K; 12M; 135H; 135H NA; 140H; 140H ES; 140H NA; 140K; 140M; 143H; 160H; 160H ES; 160H NA; 160K; 160M; 163H; 163H NA;
5T2925		BRONZE	120G; 120H; 120K; 135H;
6G4372		BRONZE	14G;
6G4525		BRONZE	12G; 130G; 140G; 160G;

Shoes

Part Numbers	New Parts Numbers	Type	Model
6G4526	319-2228	STEEL	120H; 12G; 12H; 12H NA; 130G; 140G; 140H; 140H NA; 160G;
5T2926		STEEL	120G; 120H; 120K; 135H;
6G4173	319-2229	STEEL	14G; 14H; 14H NA; 16G; 16H; 16H NA; 24H;

We're Experts in Earthmoving Parts,
Components, Attachments and Equipment

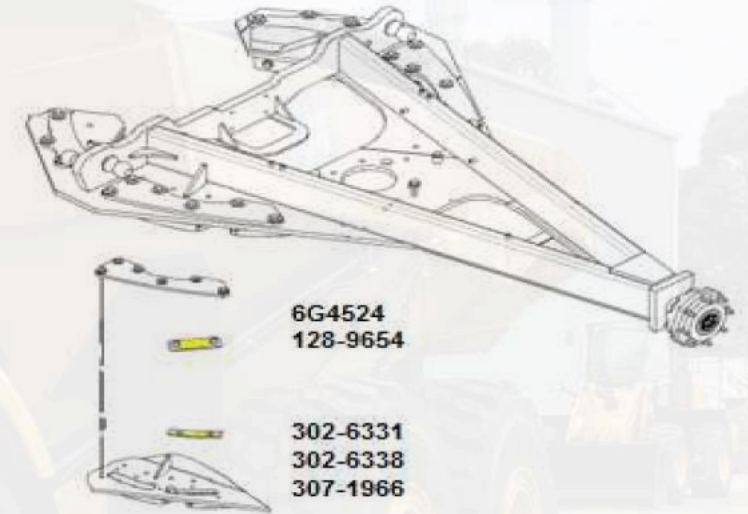
www.smithequipment.com.au | +61 3 9793 1588 | sales@smithequipment.com.au



Motor Graders – Wear Strips (Drawbar)



Wear Strip		Drawbar	
Part Numbers	New Parts Numbers	Type	Model
128-9654		POLYMER	120H; 120H ES; 120H NA; 120K; 12H; 12H ES; 12H NA; 12K; 135H; 135H NA; 140H; 140H ES; 140H NA; 140K; 143H; 14H; 14H NA; 160H; 160H ES; 160H NA; 160K; 163H; 163H NA; 16G; 16H; 16H NA;
302-6331		POLYMER	14M; 16M;
302-6338		POLYMER	120M; 12M; 140M; 160M;
307-1966		POLYMER	
6G4524		BRONZE	120G; 12G; 130G; 140G; 14G; 160G; 24H; 24M;

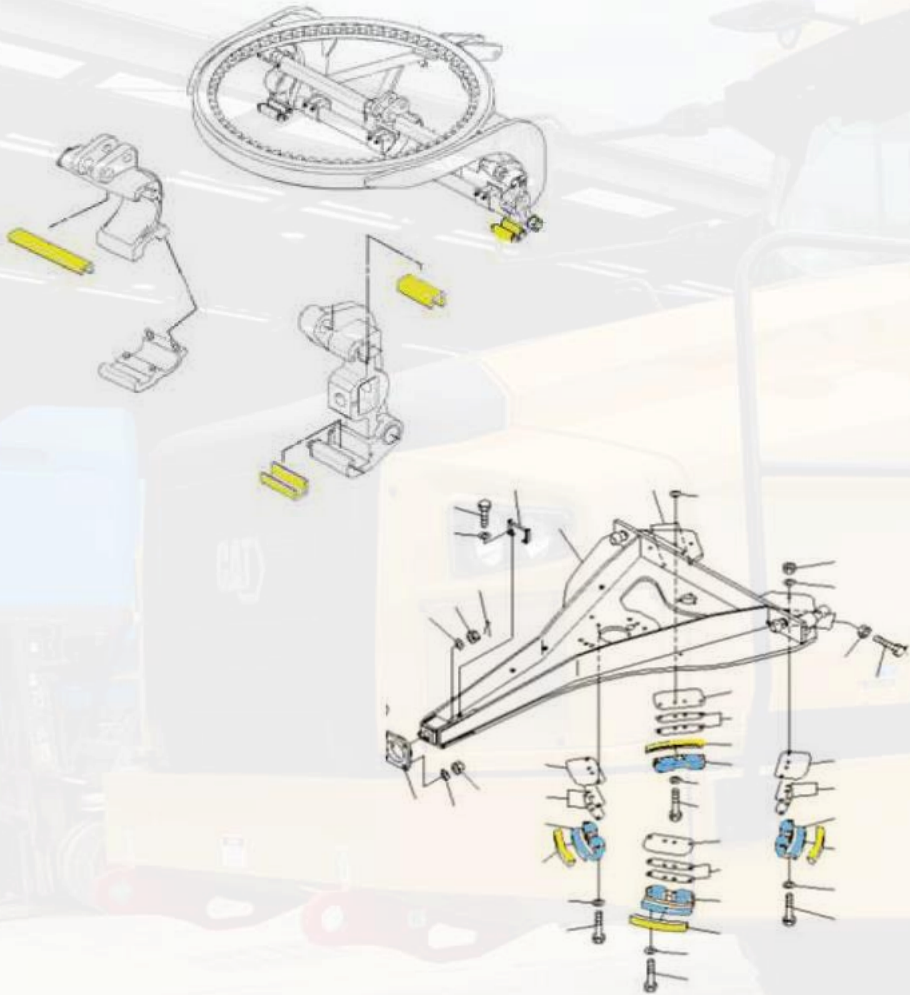


We're Experts in Earthmoving Parts,
Components, Attachments and Equipment

www.smithequipment.com.au | +61 3 9793 1588 | sales@smithequipment.com.au



Motor Graders – Wear Strips



Wear Strip

Mounting GP Blade – Bracket

PartNumbers	DESCR		Model
23E-701-3180	STRIP	BRONZE	GD305A-1A
23E-70-13190	STRIP	BRONZE	GD305A-1A
23E-735-1160	STRIP	BRONZE	GD305A-1A
23C-70-53140	STRIP	BRONZE	
23C-70-53180	STRIP	BRONZE	
232-70-12420	STRIP	BRONZE	GD405A-1; GD505A-2; GD510R-1; GD511A-1; GD521A-1; GD521A-1E; GD525A-1C; GD611A-1; GD661A-1
232-70-12430	STRIP	BRONZE	GD405A-1; GD505A-2; GD510R-1; GD511A-1; GD521A-1; GD521A-1E; GD525A-1C; GD611A-1; GD661A-1
23B-70-31331	STRIP	BRONZE	GD555-3A; GD555-3C; GD655-3A; GD655-3C-VH; GD655-3C; GD675-3A; GD675-3C
23B-70-51560	STRIP	BRONZE	GD555-3A; GD555-3C; GD655-3A; GD655-3C-VH; GD655-3C; GD675-3A; GD675-3C
23B-73-53320	STRIP	BRONZE	GD555-3A; GD555-3C; GD655-3A; GD655-3C-VH; GD655-3C; GD675-3A; GD675-3C
232-735-1250	STRIP	BRONZE	GD705A-3; GD705A-4; GD725A-1
234-70-33180	STRIP	BRONZE	GD705A-4; GD725A-1
234-70-33190	STRIP	BRONZE	GD705A-4; GD725A-1

Shoe

23A-70-11130	SHOE		GD305A-1A; GD405A-1; GD505A-2; GD510R-1; GD511A-1; GD521A-1; GD521A-1E; GD525A-1C; GD611A-1; GD661A-1
23B-70-51550	SHOE		GD555-3A; GD555-3C; GD655-3A; GD655-3C-VH; GD655-3C; GD675-3A; GD675-3C

We're Experts in Earthmoving Parts,
Components, Attachments and Equipment

Motor Graders (Gears & Worms)

Motor Graders – Gears & Worms



		Model
6G5533	GEAR-WORM	120G; 120H; 120H ES; 120H NA; 12G; 12H; 12H ES; 12H NA; 130G; 135H; 135H NA; 140G; 140H; 140H ES; 140H NA; 140K; 143H; 160H; 160H ES; 160H NA; 163H; 163H NA;
6G6241	GEAR-WORM	14G;
7D5813	GEAR-WORM	12F-14E
8D5344	GEAR-WORM	120G; 12G; 130G; 140G; 160G;
8W8146	WORM-CIRC	14G; 14H; 14H NA; 14M;
8W8147	GEAR-WORM	14H NA;
8X5303	GEAR-WORM	14G; 14H; 14H NA; 14M;
9D1142	WORM-CIRC	120G; 120H; 120H ES; 120H NA; 12G; 12H; 12H ES; 12H NA; 130G; 135H; 135H NA; 140G; 140H; 140H ES; 140H NA; 143H; 160G; 160H; 160H ES; 160H NA; 163H NA;
9D5741	WORM-CIRC	14G;
312-0781	WORM-CIRC	14M;
312-0782	WORM-CIRC	120G; 120H; 120H ES; 120H NA; 12G; 12H; 12H ES; 12H NA; 130G; 135H; 135H NA; 140G; 140H; 140H ES; 140H NA; 140K; 143H; 160H; 160H ES; 160H NA; 163H; 163H NA;
323-8674	GEAR-WORM	120H; 120K; 120M; 12H; 12K; 12M; 135H; 140H; 140H ES; 140K; 140M; 160K; 160M;
323-8675	WORM-CIRC	120H; 120K; 120M; 12H; 12K; 12M; 135H; 140H; 140H ES; 140K; 140M; 160K; 160M;



We're Experts in Earthmoving Parts,
Components, Attachments and Equipment

www.smithequipment.com.au | +61 3 9793 1588 | sales@smithequipment.com.au



Loaders (Pins, Bearings & Seals)

Loaders (Pins, Bearings & Seals – 943, 950)



943 Serial: 3Y 1 to 3Y 1593 up
 943 Serial: 31Y 1 to 31Y 1330 up
 943 Serial: 4Z 1 to 4Z 0306 up

950 Serial: 43J 3191 to 11260 up
 950 Serial: 73J 1 to 7257 up
 950 Serial: 81J 3730 to 12883 up

Pos	Pin Pn	Qty	Beari. Pn	Qty	Seal Pn	Qty
1	8G0878	2	1V1292	2	7K9208	4
2	8G0877	1	3G8606	1	7K9209	2
3	8G0875	2	3G8595	2	7K9203	4
4	7P1577	2	1V3342	2	7K9203	4
5	8G0876	1	7P1576	1	7K9204	2
6	7P9113	1	9K9851	1	7K9212	2
7	8G0874	1	3G8606	1	7K9209	2
8	1V1293	1	7P1576	1	7K9204	2
9	1V1294	2	1V1290	2	7K9203	4
9	7P6711	8				
9	7P6712	8				

Pos	Pin Pn	Qty	Beari. Pn	Qty	Seal Pn	Qty
1	6K7166	2	7K0086	2	7K9208	4
2	6K7164	2	7K0084	2	7K9203	4
3	8K5758	2	8K5757	2	7K9209	4
4	6K7289	2	2V4876	2	7K9202	4
5	6K7162	2	7K0084	2	7K9203	4
6	7K7360	2	2V4876	2	7K9203	4
7	6K7167	2	7J9699	2	5P0094	4
8	6K7165	2	7J9344	2	5P0065	4
9	6K7161	1	7J9699	1	5P0094	2
9	6K7163	1	7J9699	1	5P0094	2
10	6K5513	2	7K0087	2	7K9203	4
11	7K9343	2	7K0085	2	7K9202	4
12			7J9694	4	5P0065	4
13	5K2432	4	7J9688	4	5P0092	8
14	R.Group		9K9157	4	5P5343	4
	B.R.		9K9159	4		

We're Experts in Earthmoving Parts,
 Components, Attachments and Equipment

www.smithequipment.com.au | +61 3 9793 1588 | sales@smithequipment.com.au



Loaders (Pins, Bearings & Seals – 950B / E / F / G)



950B/E Serial: 31R 1 up
 950B/E Serial: 63R 1 to 6054 up
 950B/E Serial: 65R 1 to 3088 up
 950F Serial: 7ZF 1 up
 950F Serial: 2LM 1 up

950B/E Serial: 22Z 1 to 3189 up
 950F Serial: 6YG 1 up
 950F Serial: 8TK 1 up
 950F Serial: 4DJ 1 to 2081 up

950G 8JW 1-UP

Pos	Pin Pn	Qty	Beari. Pn	Qty	Seal Pn	Qty
1	5V1510 or 4E3197	2	3V2333	2	7K9210	4
2	5V1509	1	3G9191	1	7K9210	2
3	3V2337	2	4V8674	2	7K9209	4
4	4V7105 or 4E3196	2	4V8674	2	7K9209	4
5	5V1508	1	3G8779	1	7K9210	2
6	5V1514 or 9C0093	1	5V1386	1	7K9218	2
7	5V1508	1	3G8779	1	7K9210	2
8	5V1882	1	3G8779	1	7K9210	2
9	5V1511	2	5V1874	2	7K9205	4
10	8V7659	2	3G4704	2	7K9203	4
11	8V7659	2	3G4704	2	7K9203	4
9	5V0353	4				
9	5V0354	4				

Pos	Pin Pn	Qty	Beari. Pn	Qty	Seal Pn	Qty
1	1369371	2	3V2333	2	7K9212	4
2	1369380	1	9J7099	1	7K9211	2
3	1369371	2	347624	2	7K9212	4
4	4E3196	2	4V8674	2	7K9209	4
5	5V1508	1	3G8779	1	7K9210	2
6	9C0093	1	5V1386	1	7K9218	2
7	5V1508	1	3G8779	1	7K9210	2
8	5V1882	1	3G8779	1	7K9210	2
9	5V1511	2	5V1874	2	7K9205	2
9	5V0353	4				
9	5V0354	6				
10	1361711	2	9M1328	2		
11	1361711	2	9M1328	2		

We're Experts in Earthmoving Parts,
 Components, Attachments and Equipment

www.smithequipment.com.au | +61 3 9793 1588 | sales@smithequipment.com.au



Loaders (Pins, Bearings & Seals – 950K / M, 962M)



950K

Pos	Pin Pn	Qty	Beari. Pn	Qty	Seal Pn	Qty
1	347-5630	2	7P-3194	2	7K-9216	2
2	347-5665	1		1	5P-3193	1
3	347-5664	2		2	7K-9211	2
4	347-5657	2	9J-7100	2	7K-9211	2
5	347-5658	1		1	5P-3193	2
6	347-5644	1	374-4658	1	9X-4601	2
7	347-5658	1		1	5P-3193	2
8	347-5651	1		1	5P-3193	2
9	347-5637	2	394-1178	2	7K-9208	4

950M SN.LCR 962M SN.RKH

POS	PIN	QTY	BUSHING	QTY	SEAL	QTY
1	347-5630	2	7P-3194	2	7K-9216	4
2	444-2295	1	360-3135	1	5P-3193	2
3	347-5664	2	584-5777	2	7K-9211	4
4	347-5657	2	493-5906	2	7K-9211	4
5	347-5658	1	1V-8241	1	5P-3193	2
6	347-5644	1	374-4658	1	9X-4601	2
7	361-4985	1	360-3135	1		
8	347-5651	1	1V-8241	1	5P-3193	2
9	347-5637	2	394-1178	2	7K-9208	4
HITCH	1188267	1	4T0370	2		
	1188271	1				

We're Experts in Earthmoving Parts,
Components, Attachments and Equipment

www.smithequipment.com.au | +61 3 9793 1588 | sales@smithequipment.com.au



Loaders (Pins, Bearings & Seals – 953)



953 Serial: 76Y 1 to 76Y 1116 up
953 Serial: 77Y 1 to 77Y 1410 up
953 Serial: 78Y 1 to 78Y 1165 up

953 Serial: 20Z 1 to 20Z 0434 up
953 Serial: 44Z 1 to 44Z 0681 up

Pos	Pin Pn	Qty	Beari. Pn	Qty	Seal Pn	Qty
1	8G1096	2	7P3453	2	7K9209	4
2	7P6966	1	3G5111	1	7K9210	2
3	8G1097	2	1U0563	2	7K9205	4
4	8G1098	2	7P3454	2	7K9205	4
5	8G1105	1	7P3466	1	7K9208	2
6	7P3467	1	7P3463	1	7K9216	2
7	8G1099	1	3G5111	1	7K9210	2
8	7P3474	1	7P3466	1	7K9208	2
9	7P3472	2	7P3455	2	7K9204	4

We're Experts in Earthmoving Parts,
Components, Attachments and Equipment

www.smithequipment.com.au | +61 3 9793 1588 | sales@smithequipment.com.au



Loaders (Pins, Bearings & Seals – 980)



980 Serial: 89P 906 to 89P 4905

980 Serial: 89P 4905 up

Pos	Pin Pn	Qty	Beari. Pn	Qty	Former Pn	Qty	Seal Pn	Qty
1	7K9991	2	5K4787	4			7K9213	4
2	7K0374	1	7K9731	1			7K9205	2
2	7K0373	1	7J9731	1			7K9205	2
3	7K9992	2	4K1102	4			7K9217	4
4	2V7506	2	7K9985	2			7K9205	4
5	5K4819	1	7J9732	1			7K9205	2
5	5K4817	1	7J9732	1			7K9205	2
6	2V7505	2	7K9985	2			7K9205	4
7	6K6001	4	7K9686	4			7K9206	8
8	7K9981	2	7J9707	2			7K9211	4
9	7K9988	4	7K9686	4			7K9206	8
10	7K7102	2	7K9528	4	7K9986	4	7K9205	4
11	7K9990	2	7K9528	4	7K9986	4	7K9205	4
12			7K9814	4				
13	2J5649	4		4				8
14	R.Group		9K7847	4	8K6220	4	7K9218	4
	B.R.				8K6223	4		

980 Serial: 42H 1622 up

980 Serial: 89P 1 to 89P 465 inclusive

980 S.N.: 89P 466 to 89P 905 inclusive

Pos	Pin Pn	Qty	Beari. Pn	Qty	Former Pn	Qty	Seal Pn	Qty
1	5K4821	2			5K4787	4		
2	7K0374	1			5J4542	1		
2	7K0373	1			5J4542	1		
3	5K4807	2			4K1102	4		
4	5K4802	2			4K0300	2		
5	5K4819	1			4K0300	1		
5	5K4817	1			4K0300	1		
6	7K9989	2	5K4803	2	4K0300	2		
7	6K6001	4			4K0299	4		
8	7K9981	2	6K8533	2	4J6899	2		
9	7K9988	4	7K3746	4	4K0299	4		
10	5K4801	2			5K7995	4		
11	7K9990	2	5K4805	2	5K7995	4		
12					5J3492	4		
13	2J5649	4				4		
14	R.Group				8K6220	4	5K4672	4
	B.R.				8K6223	4		

We're Experts in Earthmoving Parts,
Components, Attachments and Equipment

www.smithequipment.com.au | +61 3 9793 1588 | sales@smithequipment.com.au



Loaders (Pins, Bearings & Seals – 980C / F / G)



980C Serial: 63X 1 to 63X 3084 up 980F Serial: 5XJ 1 up
 980C Serial: 2XD 1 up 980F Serial: 8CJ 1 up
 980C Serial: 3HK 1 to 3HK 0709 up 980F Serial: 3HK 0709 up

Pos	Pin Pn	Qty	Collet Pn	Qty	Beari. Pn	Qty	Seal Pn	Qty
1	1V8947	2			1V8240	2	7K9218	4
2	1V8953	2	8R3946	4	1V8242	2	7K9212	4
3	1V8949	2			1V8241	2	5P3193	4
4	1V8957	2			1V8241	2	5P3193	4
5	1V8954	2			1V9148	2	7K9209	4
6	4V7099	2			1V9141	2	5P3193	4
7	1V8439	2			1V9143	2	7K9220	4
8	3V6648	2			1V9148	2	7K9209	4
9	9C0624	2	8R3943	2				
10			8R3921	2				
			9V6453					
9	9C0625	2	8R4525	2				
			9C8986	2				
10	2V4700	4			9J5875	4	7K9204	8

980G Serial: 9CM 1 up

Pos	Pin Pn	Former P	Collet Pn	Qty	Beari Pn	Qty	Seal Pn	Qty
1	1V8439	2			1V8240	2	7K9218	4
2	1157048	2	8R3946	4	1V8242	2	7K9212	4
3	1V8949	2			1V8241	2	5P3193	4
4	1V8957	2			1V8241	2	5P3193	4
5	1V8954	2			1V9148	2	7K9208	4
6	4V7099	2			1V8242	2	7K9212	4
7	1V8439	2			1V9143	2	7K9220	4
8	1302621	2			1V9148	2	7K9209	4
9	1141153	2	1141159	4	1355553	2	9U8538	4
10	1585633	4	8Y7028		665815	4		

We're Experts in Earthmoving Parts,
 Components, Attachments and Equipment

www.smithequipment.com.au | +61 3 9793 1588 | sales@smithequipment.com.au



Loaders (Pins, Bearings & Seals – 980G / H)



980G Serial: 2KR 1 up

Pos	Pin Pn	Qty	Collet Pn	Qty	Beari Pn	Qty	Seal Pn	Qty
1	1V8439	2			1V8240	2	7K9218	4
2	1157048	2	8R3946	4	1V8242	2	7K9212	4
3	1V8949	2			1V8241	2	5P3193	4
4	1V8957	2			1V8241	2	5P3193	4
5	1V8954	2			1V9148	2	7K9208	4
6	4V7099	2			1V8242	2	7K9212	4
7	1V8439	2			1V9143	2	7K9220	4
8	1302621	2			1V9148	2	7K9209	4
9	1141153	2	1141159	4	1141158	2	9U8538	4
10	8Y7028	4			665815	4		

980H SN.MHG1-853

Pos	Pin pn	Qty	Collet pn	Qty	Bushing pn	Qty	Seal pn	Qty
1	1V8947	2			1V8240	2	7K9218	4
2	115-7048	2	8R3946	4	1V8242	2		
3	1V8949	2			1V8241	2	5P3193	2
4	1V8957	2			1V8241	2	5P3193	2
5	1V8954	2			1V9148	2	7K9209	2
6	4V7099	2			1V8242	1		
7	1V8439	2			1V9143	2	7K9220	4
	346-1656	2	AUTOMATIC LUB					
8	130-2621	2			1V9148	2	7K9209	2
9	185-7219	2	ANDARD BUCKET		185-7220	2	7K9211	4
	349-1363	2						
10	158-5633	4			5J1446	4		

980G 2SR 1-UP

Pos	Pin Pn	Qty	Collet Pn	Qty	Beari. Pn	Qty	Seal Pn	Qty
1	1V8947	2			1V8240	2	7K9218	4
2	1157048	2	8R3946	4	1V8242	2	7K9212	4
3	1V8949	2			1V8241	2	5P3193	4
4	1V8957	2			1V8241	2	5P3193	4
5	1V8954	2			1V9148	2	7K9209	4
6	4V7099	2			1V8242	2	7K9212	4
7	1V8439	2			1V9143	2	7K9220	4
8	1302621	2			1V9148	2	7K9209	4
9	1141153	2	1576257		1355553	2	1617546	4
10	1585633	4	8Y7028		665815	4		

980H SN.MHG854-UP

Pos	Pin pn	Qty	Collet pn	Qty	Bushing pn	Qty	Seal pn	Qty
1	304-7345	2			1V8240	2	7K9218	4
2	115-7048	2	8R3946	4	1V8242	2		
3	304-7349	2			1V8241	2	5P3193	2
4	1V8957	2			1V8241	2	5P3193	2
5	312-1067	2			1V9148	2	7K9209	2
6	4V7099	2			1V8242	1		
7	1V8439	2			1V9143	2	7K9220	4
	346-1656	2	AUTOMATIC LUB					
8	130-2621	2			1V9148	2	7K9209	2
9	185-7219	2	ANDARD BUCKET		185-7220	2	7K9211	4
	349-1363	2						
10	158-5633	4			5J1446	4		

We're Experts in Earthmoving Parts,
Components, Attachments and Equipment

www.smithequipment.com.au | +61 3 9793 1588 | sales@smithequipment.com.au



Loaders (Pins, Bearings & Seals – 980M, 982M)



980M SN.XDJ

POS	PIN	QTY	BUSH	QTY	SEAL	QTY
1	304-7349	2	1V8241	2	5P3193	4
2	497-9321	2	5107038	2	7K9218	4
3	397-7327	2	1V8242	2	7K9212	2
4	1V8957	2	417-3788	2	5P3193	4
5	422-3535	2	1V8242	2	7K9212	2
6	1V8439	2	1V9143	2	7K9220	4
7	312-1067	2	1V9148	2	7K9209	2
8	130-2621	2	1V9148	2	7K9209	2
9	349-1363	2	417-3786	2	7K9212	4
HITCH	438-6403	1	439-2785	2		
	447-8856	1				

982M SN.XDL

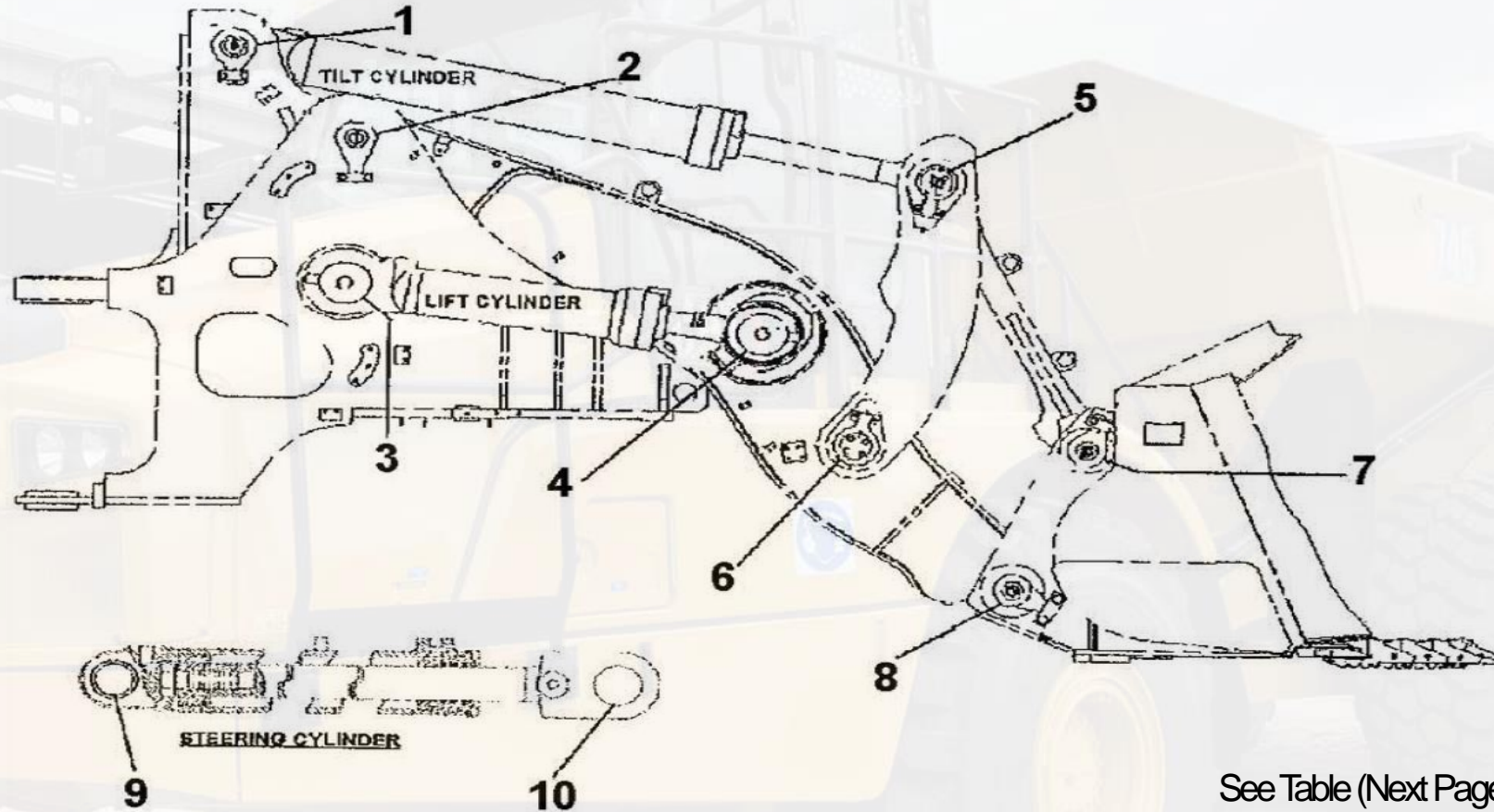
POS	PIN	QTY	BUSH	QTY	SEAL	QTY
1	304-7349	2	1V8241	2	5P3193	4
2	497-9321	2	373-1525	2	7K9218	4
3	397-7327	2	1V8242	2	7K9212	2
4	1V8957	2	417-3788	2	5P3193	4
5	422-3535	2	1V8242	2	7K9212	2
6	1V8439	2	1V9143	2	7K9220	4
7	312-1067	2	1V9148	2	7K9209	2
8	130-2621	2	1V9148	2	7K9209	2
9	370-9906	2	417-3790	2	7K9212	4
HITCH	438-6403	1	439-2785	2		
	447-8856	1				

We're Experts in Earthmoving Parts,
Components, Attachments and Equipment

www.smithequipment.com.au | +61 3 9793 1588 | sales@smithequipment.com.au



Loaders (Pins, Bearings & Seals – 988G / H)



See Table (Next Pages)

We're Experts in Earthmoving Parts,
Components, Attachments and Equipment

www.smithequipment.com.au | +61 3 9793 1588 | sales@smithequipment.com.au



Loaders (Pins, Bearings & Seals – 988G / H)



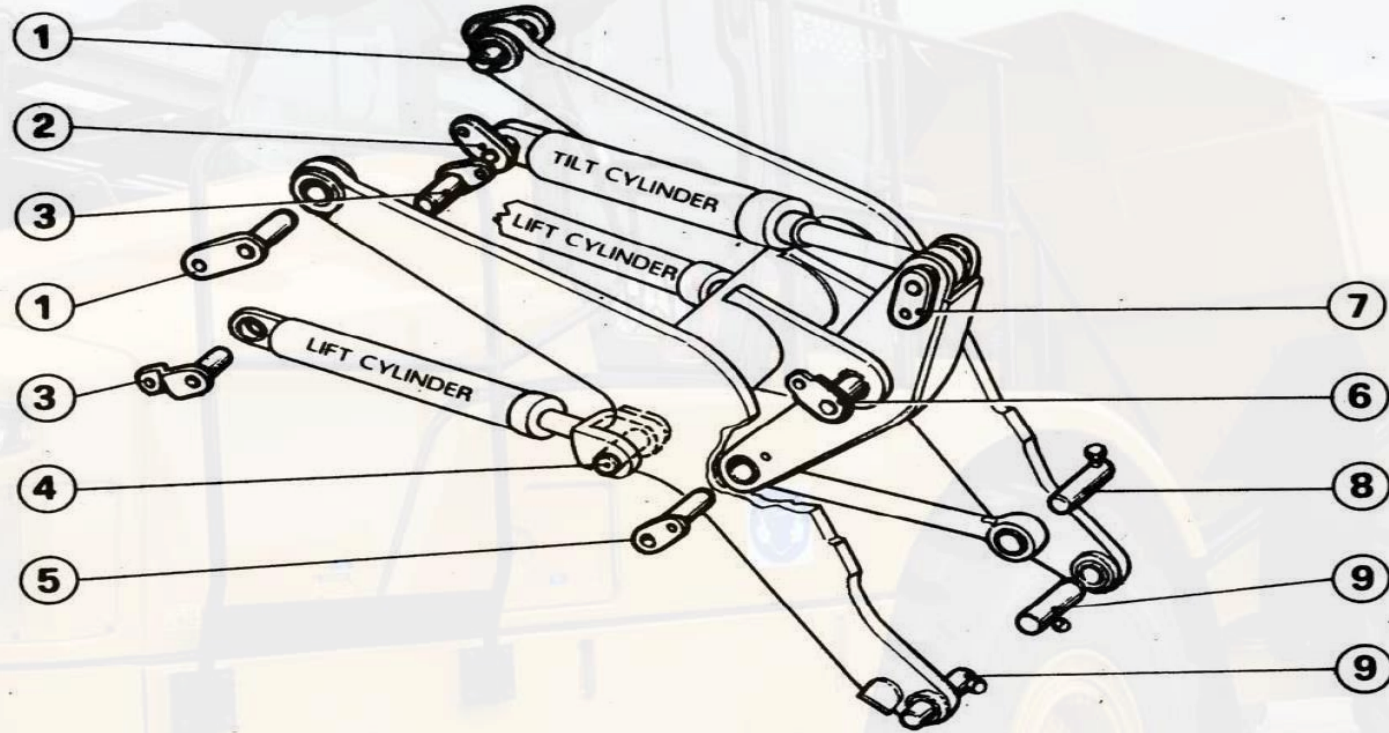
WHEEL LOADER: 988G SERIAL: 2TW 0001 TO UP / BNH 0001 TO UP								
WHEEL LOADER: 988H SERIAL: BXY 0001 TO UP								
Pos	Pin Pn	Qty	Collet	Qty	Bushing Pn	Qty	Seal Pn	Qty
1	1684332	1			1523739	2	9X4601	2
2	1967365	2	2850972	4	1523728	2	1R1052	4
3	1716757	1			1523750	2	1R1060	4
4	1716757	1			1523750	2	1R1060	4
4					1523749	2		
5	1523741	1			1523739	2	9X4601	6
5					1523740	2		
6	1523738	1			1523743	2	1688508	2
7	1684331	2			1523735	2	9X4599	4
8	1967369	2	1901701	4	1715427	2	9X4599	4
9	1381870	2			1353161	2	8T7535	4
10	1381870	2			1353161	2	8T7535	4

We're Experts in Earthmoving Parts,
Components, Attachments and Equipment

www.smithequipment.com.au | +61 3 9793 1588 | sales@smithequipment.com.au



Loaders (Pins, Bearings & Seals – 988K, 990 II / K)



See Table (Next Pages)

We're Experts in Earthmoving Parts,
Components, Attachments and Equipment

www.smithequipment.com.au | +61 3 9793 1588 | sales@smithequipment.com.au



Loaders (Pins, Bearings & Seals – 988K, 990 II / K)



WHEEL LOADER: 988K SERIAL: TWX 0001 TO UP

Pos	Pin Pn	Qty	Collet	Qty	Bushing Pn	Qty	Seal Pn	Qty
1	4E-5594	2			6E-1166	2	9X7700	2
2	115-7787	1	4E-5607	1	6E-1364	1	9X7700	2
			4E-5608	1				
3	4E-5594	2			6E-1166	2	9X7700	2
4	347-5087	2			148-3381	2	9X4601	4
5	347-4977	1			374-4658	2	9X4601	2
6	347-4977	1			374-4658	1	9X4601	2
7	347-4957	1			8X-0743	1	7X4786	2
8	347-4977	1			374-4658	2	9X4601	2
9	168-4332	2			148-3381	2	9X4601	4
10	344-9749	4					8T7535	8

WHEEL LOADER: 990 II SERIAL: 4FR 0001 TO UP

Pos	Pin Pn	Qty	Collet	Qty	Bushing Pn	Qty	Seal Pn	Qty
1	4E5594	2			4E5582	2	9X7700	4
2	4E5604	1	4E5605	2	6E1166	1	9X7700	2
3	4E5594	2			1328677	2	9X7700	4
3			4E5608	2	6E1166	2		
4	1157787	2	4E5607	2	6E1364	2	9X7700	4
5	4E5597	1					9X7699	2
6	4E5599	1			4E5635	2	9X7703	2
6					4E5588	1		
7	4E5594	1			6E1166	1	9X7700	2
8	4E5597	1			1327431	2	9X7699	2
9	1328674		1713753	4	9U0578	2	1R1052	4
10	4E8080	2			6E0804	2	7X4803	4
11	4E8080	2			6E0804	2	7X4803	4

We're Experts in Earthmoving Parts,
Components, Attachments and Equipment

www.smithequipment.com.au | +61 3 9793 1588 | sales@smithequipment.com.au



Loaders (Pins, Bearings & Seals – 988K , 990 II / H / K)



WHEEL LOADER: 990 II SERIAL: BCR 0001 TO UP								
WHEEL LOADER: 990 H SERIAL: BWX 0001 TO UP								
Pos	Pin Pn	Qty	Collet	Qty	Bushing Pn	Qty	Seal Pn	Qty
1	4E5594	2			4E5582	2	9X7700	4
2	4E5604	1	4E5605	2	6E1166	1	9X7700	2
3	4E5594	2			6E1166	2	9X7700	4
4	1157787	2	4E5608	2	6E1364	2	9X7700	4
4			4E5607	2				
5	4E5597	1			1327431	1	1973919	2
6	4E5599	1			4E5588	1	9X7703	2
6					4E5635	2		
7	4E5594	1			6E1166	1	9X7700	2
8	4E5597	1			1327431	1	9X7699	4
9	1941666	2			1941664	2	1973919	2
10	4E8080	2			6E0804	2	7X4803	4
11	4E8080	2			6E0804	2	7X4803	4

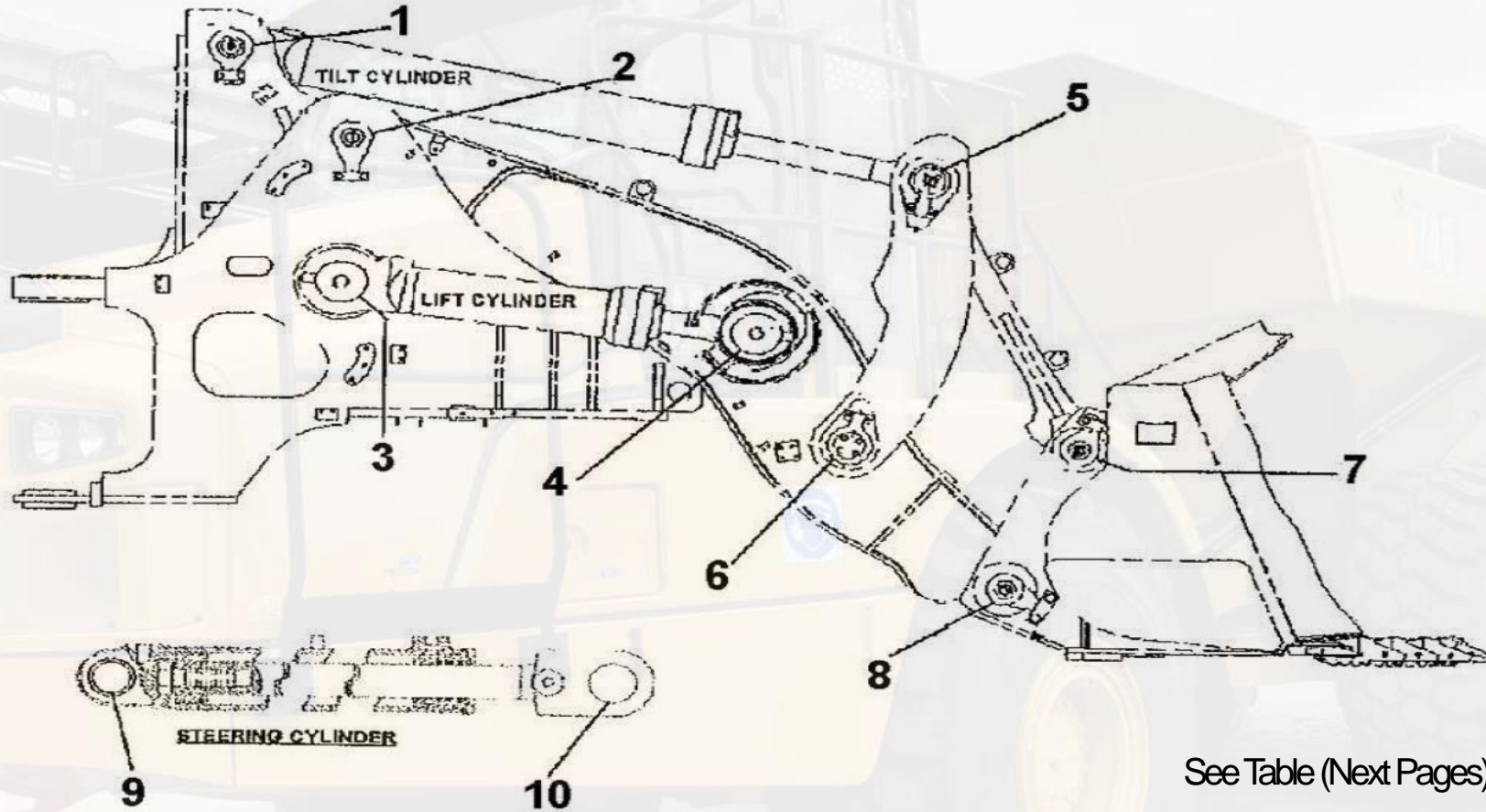
WHEEL LOADER: 990K SERIAL: DJK								
Pos	Pin Pn	Qty	Collet	Qty	Bushing Pn	Qty	Seal Pn	Qty
1	4E5594	2		4	4E5582	2	9X7700	4
2	4E5604	1	4E5605	2	6E1166	2	9X7700	2
3	4E5594	2			6E1166	2	9X7700	4
4	115-7787	2	4E5607	2	6E1364	2	9X7700	4
			4E5608	2				
5	4E5597	1			132-7431	1	9X7699	2
6	4E5599	1			4E5588	1	9X7706	2
7	4E5594	1			4E5588	1	9X7700	2
8	4E5597	1			132-7431	1	9X7699	2
9	194-1666	2			194-1664	2	197-3919	4
STEERING	4E8080	4			6E0804	4		
STEER.LINK		4						
HICH UP	4E8152	1						
HICH LOW	4E8158	1						

We're Experts in Earthmoving Parts,
Components, Attachments and Equipment

www.smithequipment.com.au | +61 3 9793 1588 | sales@smithequipment.com.au



Loaders (Pins, Bearings & Seals – 992G)



See Table (Next Pages)

We're Experts in Earthmoving Parts,
Components, Attachments and Equipment

www.smithequipment.com.au | +61 3 9793 1588 | sales@smithequipment.com.au



Loaders (Pins, Bearings & Seals – 992G)



WHEEL LOADER: 992 G SERIAL: ADZ 0001 TO 0338								
Pos	Pin Pn	Qty	Collet	Qty	Bushing Pn	Qty	Seal Pn	Qty
1	1252596	1			1328574	2	1R1056	4
1					1252563	1		
2	1443563	1	1592961	2	1328574	2	1439740	4
3	1448300				1461616	2	1439740	5
4	1448300	1			1328574	2	1439740	4
4					1461616	2		
5	1617069	1			1461616	2	1605875	6
5					1615811	1		
6	1617069	1			1252562	2	1439740	4
6					1461616	2		
7	1443563	1	2107553	2	1615809	2	1605875	2
8	1443563	1	2107553	2	1328574	2	1439740	2
9	4E8080	2			4E8078	4	7X4803	4
10	4E8080	2			6E0804	2	7X4803	4

WHEEL LOADER: 992 G SERIAL: ADZ 0339 TO 0517								
Pos	Pin Pn	Qty	Collet	Qty	Bushing Pn	Qty	Seal Pn	Qty
1	2043581	1	1628122	2	1252563	2	1R1056	4
2	2289569	1	1592961	2	1328574	2	1439740	4
3	1448300	1			1461616	1	1439740	4
4	1448300	1			1461616	1	1439740	5
4					1328574	2		
5	1617069	1			1615811	1	1605875	6
5					1461616	2		
5					1615808	2		
6	1617069	1			1252562	2	1439740	5
6								
7	2289569	1			1615809	2	1605875	2
8	2289569	1	2107553	2	2055153	2	1439740	4
9	4E8080	2	2107553	2	4E8078	4	7X4803	4
10	4E8080	2			6E0804	2	7X4803	4

We're Experts in Earthmoving Parts,
Components, Attachments and Equipment

www.smithequipment.com.au | +61 3 9793 1588 | sales@smithequipment.com.au



Loaders (Pins, Bearings & Seals – 992G)



WHEEL LOADER: 992 G SERIAL: ADZ 0518 TO 0623								
Pos	Pin Pn	Qty	Collet	Qty	Bushing Pn	Qty	Seal Pn	Qty
1	1252596	1	1628122	2	1328574	2	1R1056	4
2	1443563	1	2107553	2	1328574	2	1439740	4
3	1448300	1			1461616	1	1439740	4
4	1448300	1			1328574	2	1439740	4
4					1328574		1439740	5
5	1617069	1			1615811	1	1605875	6
5					1461616	2		
5					1615808	2		
6	1617069	1			1252562	2	1439740	5
6					1461616	2		
7	2289569	1			1615809	2	1605875	2
8	2289569	1	2107553	2	2055153	2	1605875	4
9	8X0763	2	2107553	2	4T1684	2	7X4803	2
10	8X0763	2			4T1684	2	7X4803	2

WHEEL LOADER: 992 G SERIAL: AZX 0001 TO UP								
Pos	Pin Pn	Qty	Collet	Qty	Bushing Pn	Qty	Seal Pn	Qty
1	2043581	1	1628122	2	1252563	2	1R1056	4
2	2289569	1	2107553	2	1328574	2	1439740	4
3	1448300	1			1461616	2	1439740	4
3					1461616	2		
4	1448300	1			1328574	2	1439740	3
4					1461616	2		
5	1617069	1			1615811	1	1605875	6
5					1461616	2		
6	1617069	1			1252562	2	1439740	6
6					1615809	2		
7	2289569	1			2808053	2	1605875	4
8	2289569	1	2107553	2	2055153	2	1439740	4
9	4E8080	2	2107553	2	4E8078	2	7X4803	4
10	4E8080	2			6E0804	1	7X4803	4

We're Experts in Earthmoving Parts,
Components, Attachments and Equipment

www.smithequipment.com.au | +61 3 9793 1588 | sales@smithequipment.com.au



Loaders (Pins, Bearings & Seals – 992G)



WHEEL LOADER: 992 G SERIAL: 7HR TYPE 1

Pos	Pin Pn	Qty	Collet	Qty	Bushing Pn	Qty	Seal Pn	Qty
1	1252596	1	1628122	2	1252563	2	1R1056	2
2	1443563	1	1592961	2	1328574	2	1439740	2
3	1448300	1			1461616	1	1439740	1
4	1448300	1			1461616	1	1439740	3
5	1617069	1	1621551	1	1615811	1	1439740	5
5					1461616	2	1605875	6
5					2426084	2		
6	1617069	1					1439740	6
7	1443563	1	2107553	2			1439740	4
7					1615809	2	1605875	2
8	1443563	1	2107553	2	1328574	2	1439740	2
9	4E8080	2			4E8078	2	7X4803	4
10	4E8080	2			6E0804	2	7X4803	4

WHEEL LOADER: 992 G SERIAL: 7HR TYPE 2/3

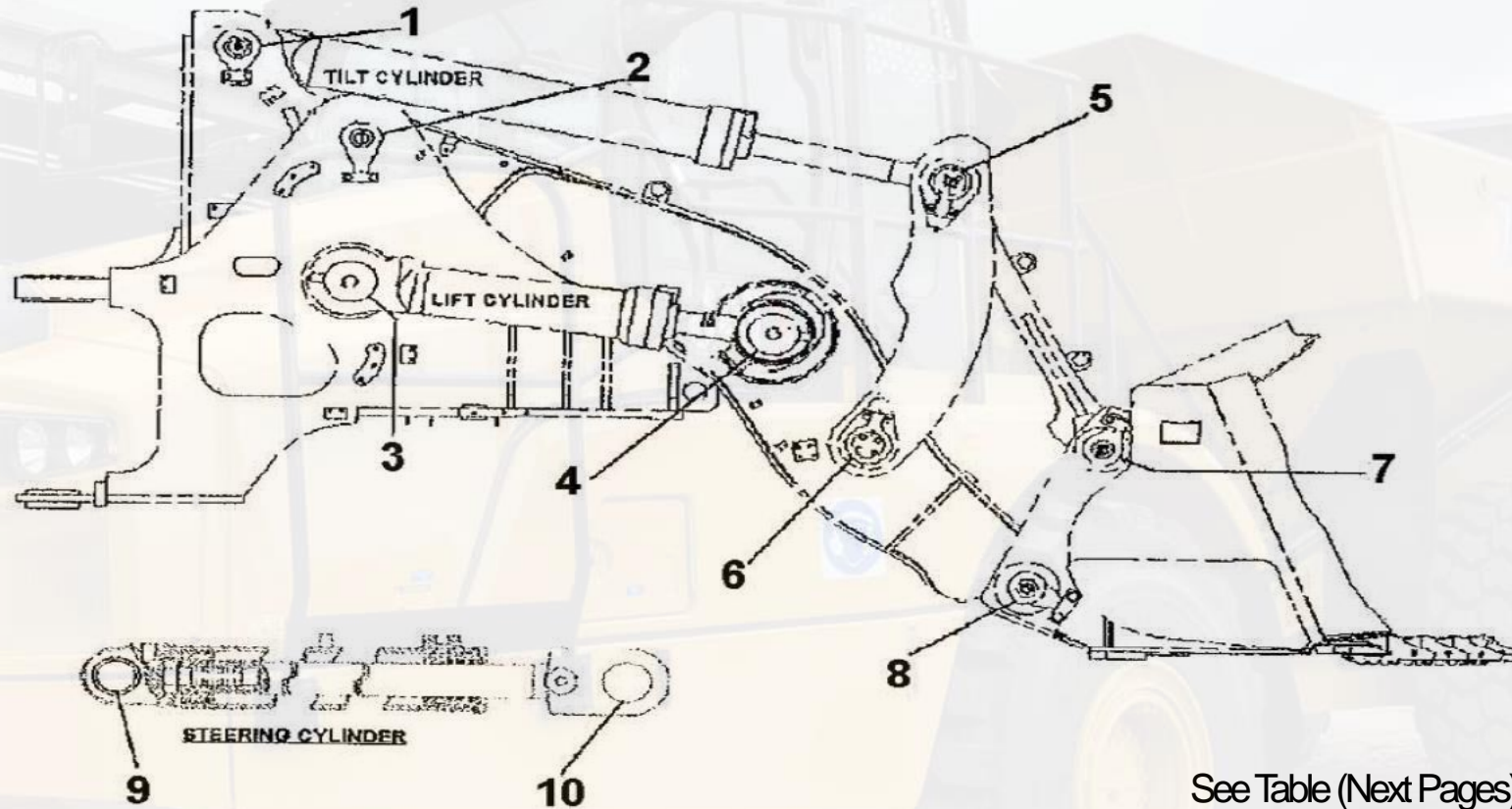
Pos	Pin Pn	Qty	Collet	Qty	Bushing Pn	Qty	Seal Pn	Qty
1	1252596	1	1628122	1	1252563	2	1R1056	4
2	1443563	1	1592961	2	1328574	2	1439740	4
3	1443563	1			1461616	1	1439740	4
4	1448300	1			1461616	1	1439740	4
4	1448300	1			1328574	2		
5					1461616	2		
5	1617069	1			1615811	1		
5					2426084	2		
6	1617069	1			1252562	2	1439740	4
7	1443563	1	2107553	2			1439740	4
7					1615809	2		
8	1443563	1	2107553	2	1328574	2	1439740	4
9	4E8080	2			4E8078	2	7X4803	4
10	4E8080	2			6E0804	2	7X4803	4

We're Experts in Earthmoving Parts,
Components, Attachments and Equipment

www.smithequipment.com.au | +61 3 9793 1588 | sales@smithequipment.com.au



Loaders (Pins, Bearings & Seals – 992K, 993K)



See Table (Next Pages)

We're Experts in Earthmoving Parts,
Components, Attachments and Equipment

www.smithequipment.com.au | +61 3 9793 1588 | sales@smithequipment.com.au



Loaders (Pins, Bearings & Seals – 992K)



WHEEL LOADER: 992 K SERIAL: 880 / 4HC								
WHEEL LOADER: 992 K SERIAL: RM2 / ZMX								
Nrif	Pin Pn	Qty	Collet	Qty	Bushing Pn	Qty	Seal Pn	Qty
1	2482528	1			2482507	1	9X7699	2
2	444-1822	1						
3	444-1810	1						
4	444-1810	1						
4								
5	2482526	1			1615809	2	1605875	6
5								
5								
6	2482527	1			3948994	2	1605875	2
7	4E5597	2			2482507	2	9X7699	2
7								
8	459-6731	2					9X7699	2
9	4E8080	2			4E8078	4	7X4803	4
10	4E8080	2			6E0804	2	7X4803	4

We're Experts in Earthmoving Parts,
Components, Attachments and Equipment

www.smithequipment.com.au | +61 3 9793 1588 | sales@smithequipment.com.au



Loaders (Pins, Bearings & Seals – 993K)



WHEEL LOADER: 993K SERIAL: Z9K								
Nrif	Pin Pn	Qty	Collet	Qty	Bushing Pn	Qty	Seal Pn	Qty
1	2817179	2	4E5608	4				
2	2817169	2						
3	2817169	2						
4	2817187	2	30806349/ 3086350	2+2				
4								
5	2817179	2	4E5608	4				
5								
5								
6	2817179	2	4E5608	4				
7	2817179	2	4E5608	4				
7								
8	2817174	2						
9	3034717	2			6Y4689	2		
10	3034717	2			6Y4689	2		
11	2817183	2	3086349/3 086350	2+2				

We're Experts in Earthmoving Parts,
Components, Attachments and Equipment

www.smithequipment.com.au | +61 3 9793 1588 | sales@smithequipment.com.au

